

UP 9502

POWER AMPLIFIER UNIT

DESCRIPTION

UP 9502 is the DXT 9000 system power amplifier unit equipped with 2 x 250 W Class D power amplifier and can be connected to both MU and MX master units to implement the desired system's total power.



FEATURES

- 2 x 250 W power amplifier
- Background music local input
- Dual AC and DC power supply
- Monitored speakers outputs
- PC software configuration
- 12 configurable monitored GPI
- 8 configurable monitored GPO

TECHNICAL SPECIFICATIONS

System specifications	Number of zones managed:	2
	Built-in power amplifier:	Yes
	Spare amplifier automatic change-over:	Yes
	Number of simultaneous emergency audio channels:	2
	Communication bus:	RCF bus
	Connection Cables:	FTP CAT 5, FTP CAT 6, J-Type fire-rated
	Remote monitoring:	Yes
Amplifier specifications	Amplifier Class:	D
	Number of channels:	2
	Power output (@ 100 V):	500 W RMS
	A/B speakers line:	Yes
	Frequency Response (-3dB):	20 Hz ÷ 20000 kHz
	Distortion (THD+N) @ 1 kHz nominal power:	<0.01 %
	Line ring:	Yes
Input section	Total number of inputs:	3
	Balanced:	2
	Unbalanced:	1
	Mono:	3
	Line inputs:	3
	Line connectors:	Euroblock, RCA
	General Purpose Inputs (GPI):	12
	Programmable GPI:	Yes
	Monitored GPI:	8
Photo-coupled GPI:	4	
Output section	Signal output number:	1
	Signal output connectors:	JACK
	Power output lines:	2
	Power output connectors:	Euroblock
	General Purpose Outputs (GPO):	8
	Programmable GPO:	Yes
	Monitored GPO:	8
Processing	DSP:	Yes
	EQ Filters:	Yes
	Compressors:	Yes
	Delay:	Yes
	Tone controls:	Yes
	High-pass filter:	200 Hz
	Automatic Gain Control (ACG):	Yes
Controls	Configuration:	Front panel, PC Software

Protections	Cooling:	Convection/Forced
	Short circuit:	Yes
	Thermal:	Yes
	DC:	Yes
	Fuses:	Yes
	VHF (Very High Frequencies):	Yes
Power requirement	Operating voltage:	220-240/115 V~ 50/60Hz
	Voltage selection:	Internal
	DC power:	Yes
	DC power value:	48 V
	Max current AC 230V:	4
	Max current DC:	15
	Power consumption:	800 W
Standard compliance	EN54-16 certified:	Yes
	CE compliance:	Yes
	CPR number:	0068-CPR-002/2014
Physical specifications	Cabinet/Case Material:	Metal
	Rack mounting:	19", 2U
Size	Height:	88 mm / 3.46 inches
	Width:	482 mm / 18.98 inches
	Depth:	350 mm / 13.78 inches
	Weight:	8 kg / 17.64 lbs
Shipping informations	Package Height:	204 mm / 8.03 inches
	Package Width:	549 mm / 21.61 inches
	Package Depth:	474 mm / 18.66 inches
	Package Weight:	7.97 kg / 17.57 lbs

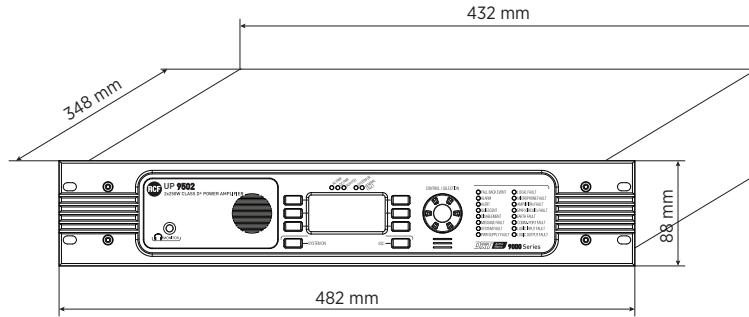
PART NUMBER

- **17170162**

UP 9502

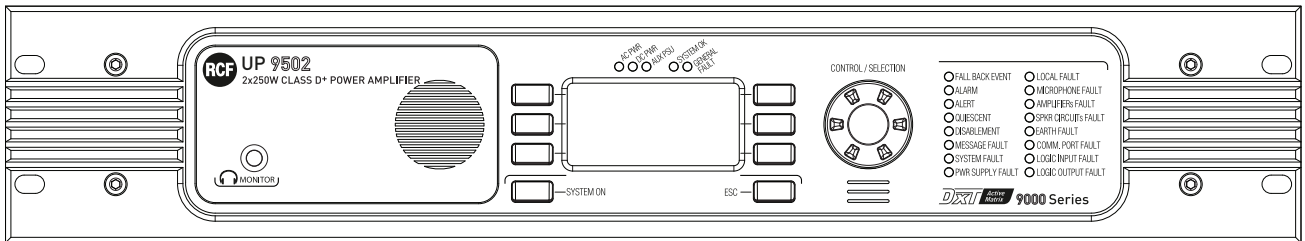
EAN 8024530007676

DRAWINGS

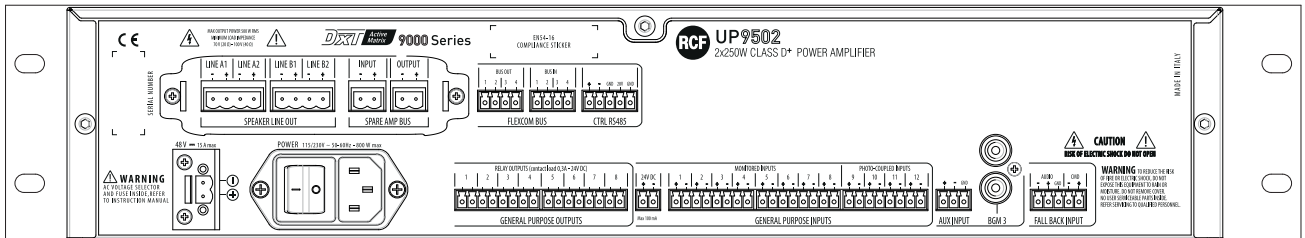


PANELS

Front panel



Rear panel



ACCESSORIES



CJ 428CAT CABLE FTP 4x2x22 AWG CAT 5E FR
(PH120)

PART NUMBER **12399047**
EAN: 8024530016449
