

# FL-B LGT HDL 10

SUSPENDING BAR FOR HDL 10-A

## DESCRIPTION

Flybar for HDL 10-A + Pole Mount + 1x Pickup Tab with Shackle + Stacking Bar. Pins included.



## FEATURES

- To suspend up to 6 HDL 10-A modules
- Strong steel construction



**TECHNICAL SPECIFICATIONS**

**General specifications**

Pins included	7
Pole mount support included	Yes
Stack Bar included	Yes
Pickup point included	Yes
Max number of speaker	6

**Standard compliance**

CE marking:	Yes
-------------	-----

**Physical specifications**

Cabinet/Case Material:	Steel
Color:	Black, White

**Size**

Weight:	6.4 kg / 14.11 lbs
---------	--------------------

**Shipping informations**

Package Height:	116 mm / 4.57 inches
Package Width:	470 mm / 18.5 inches
Package Depth:	716 mm / 28.19 inches
Package Weight:	10.6 kg / 23.37 lbs

**PART NUMBER**

• **13360313**

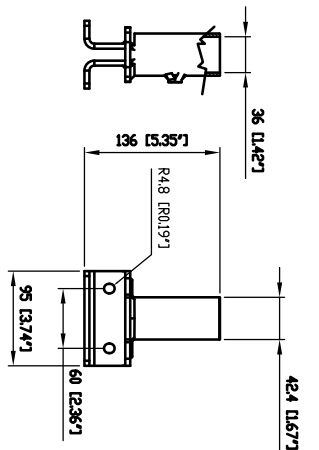
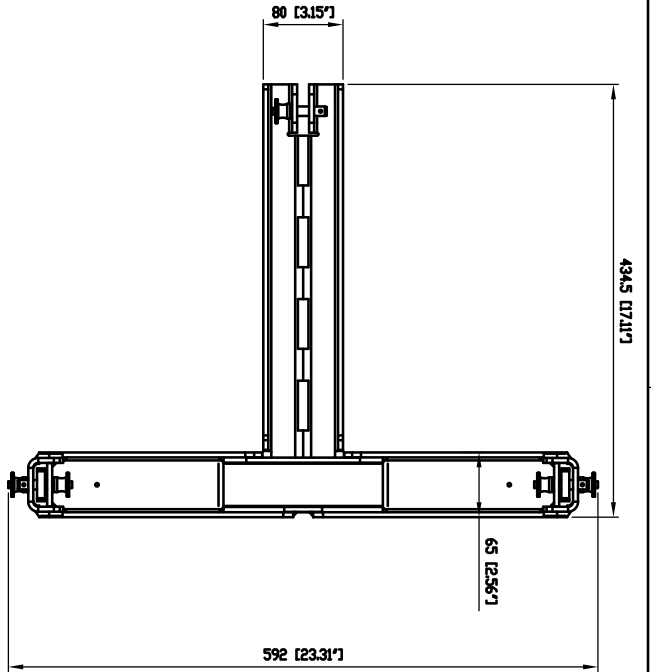
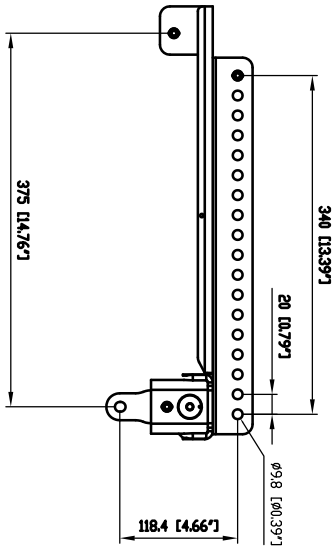
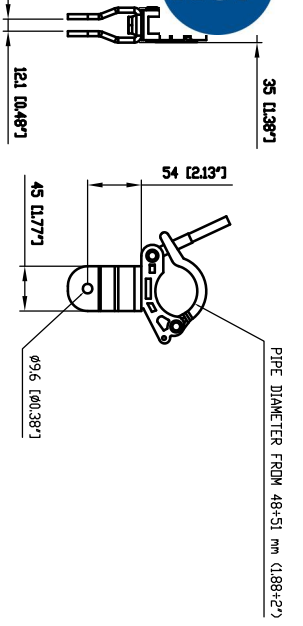
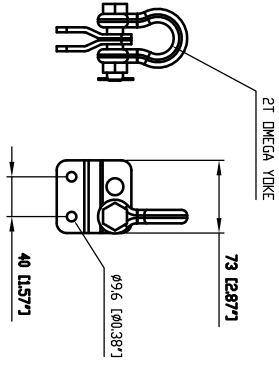
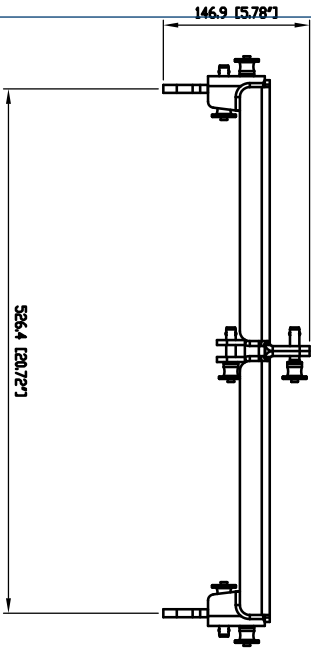
FL-B LGT HDL 10 W  
 White  
 EAN 8024530012489

• **13360276**

FL-B LGT HDL 10  
 Black  
 EAN 8024530012632



DATASHEET



LIGHTBAR HDL10-A