



# C 5215-66

TWO-WAY PASSIVE SPEAKER



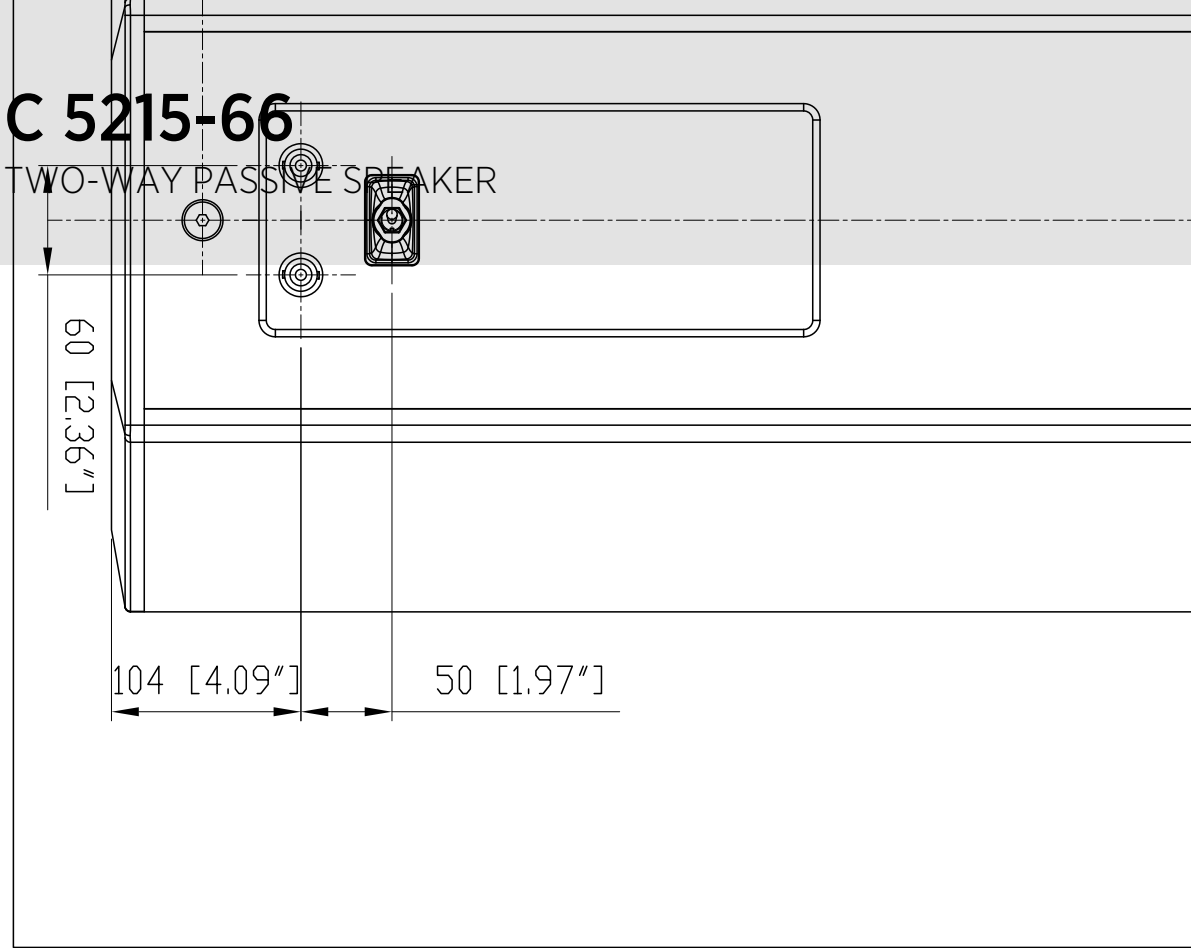
<b>Description</b>	<p>The C5215-96 is a full range extremely versatile controlled narrow dispersion two-way loudspeaker system for medium throw applications.</p> <p>The high-frequency section is a constant directivity horn loaded to a 2" compression driver with a 2.5" diaphragm assembly for smooth, controlled dispersion. The 90° x 60° horn design offers higher sensitivity for longer distance applications. The low-frequency transducer is a 15" woofer with a 3" voice coil. The crossover is easily bypassed for bi-amp via a recessed changeover switch.</p>
<b>Features</b>	<ul style="list-style-type: none"><li>› 60° x 60° CMD (Coverage Matching Design) constant directivity horn</li><li>› 1.4" compression driver with 2,5" diaphragm assembly</li><li>› 15" woofer with 3" voice coil</li><li>› Dual-function design: built in passive crossover or external bi-amp</li><li>› Rotatable Horn System for horizontal cabinet mounting applications</li><li>› HF driver AMCDP (Active Mosfet Compression Driver Protection)</li><li>› LICC (Low Impedance Compensated Crossover) network</li><li>› 14 Suspension points (M10)</li><li>› 35 mm standard internal pole mount</li></ul>
<b>Part Number</b>	13000312 C 5215-66      8ohm      Black      EAN 8024530009304



# C 5215-66

WO-WAY PASSIVE SPEAKER

Line Art 2D



## TECHNICAL SPECIFICATIONS

<b>Acoustical specifications</b>	Frequency Response (-10dB)	48 Hz ÷ 20000 Hz
	Max SPL @ 1m	134 dB
	Horizontal coverage angle	60°
	Vertical coverage angle	60°
	Directivity index Q	16
	System Sensitivity	101 dB
<b>Power section</b>	Amplification	Full Range
	Nominal Impedance	8 ohm
	Power Handling	500 W
	Peak Power Handling	2000 W PEAK
	Protections	Dynamic active mosfet
	Crossover Frequencies	1200 Hz
	Recommended Amplifiers	QPS 10K, QPS 6.0K, IPS 5.0K, IPS 2.5K, IPS 1.5K
<b>Transducers</b>	Compression Driver	1.4", 2.5" v.c
	Woofer	15", 3.0" v.c
<b>Input/Output section</b>	Input connectors	Speakon® NL4
	Output connectors	Speakon® NL4
<b>Standard compliance</b>	Safety agency	CE compliant
<b>Physical specifications</b>	Cabinet/Case Material	Baltic birch plywood
	Hardware	14 x M10, multiplates (top and bottom)
	Pole mount/Cap	M20 thread
	Grille	Steel with robust double mesh polyester clothing
	Color	Black
<b>Size</b>	Height	695 mm / 27.36 inches
	Width	430 mm / 16.93 inches
	Depth	460 mm / 18.11 inches
	Weight	35 kg / 77.16 lbs



# C 5215-66

TWO-WAY PASSIVE SPEAKER

## Rigging / Mounting

### ACCESSORIES

#### FLYING BRACKETS

13360201 FL-BR NC 12-15

EAN 8024530007478

#### HORIZONTAL BRACKETS

13360193 H-BR 2X NC15

Black

EAN 8024530007409