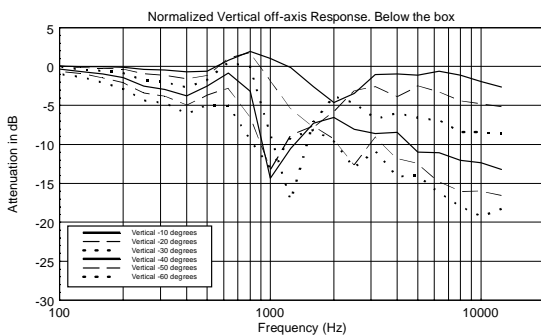
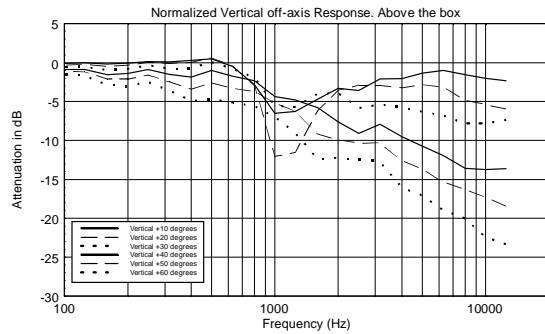
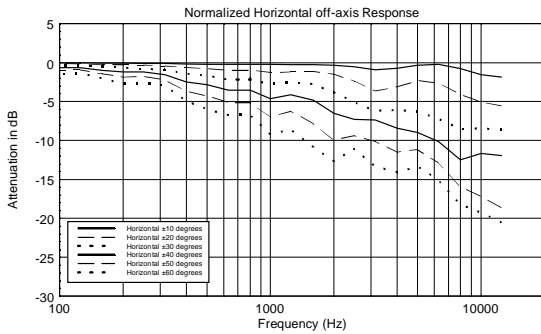
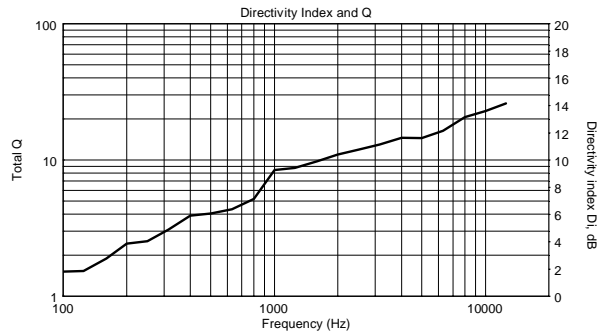
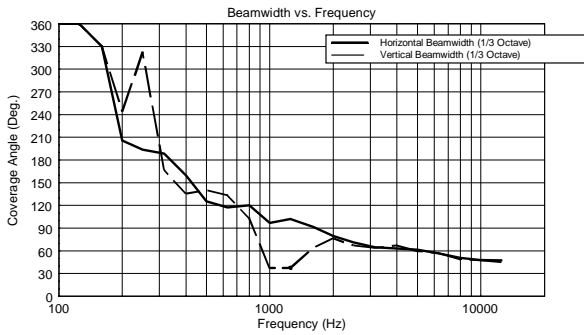
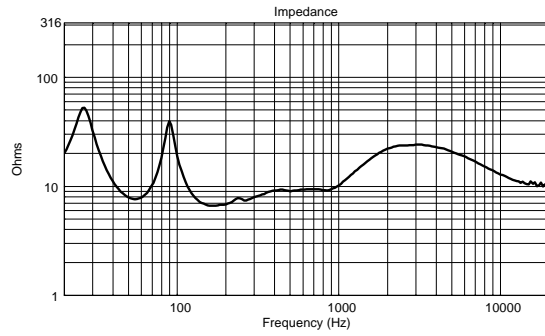
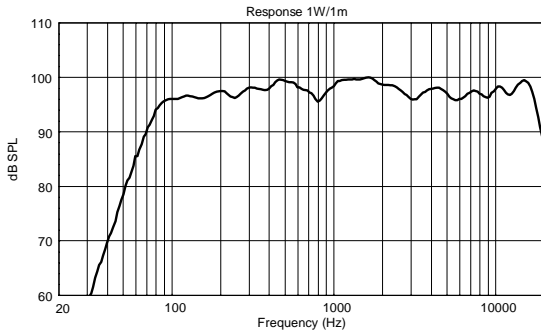




# C 5215-66

## TWO-WAY PASSIVE SPEAKER

### ACOUSTIC MEASUREMENTS

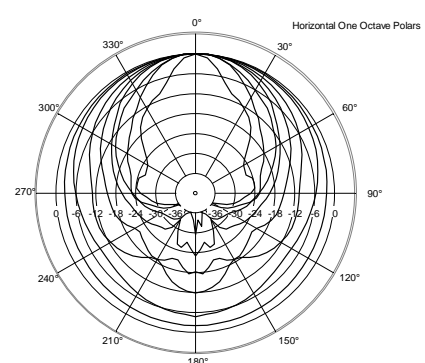
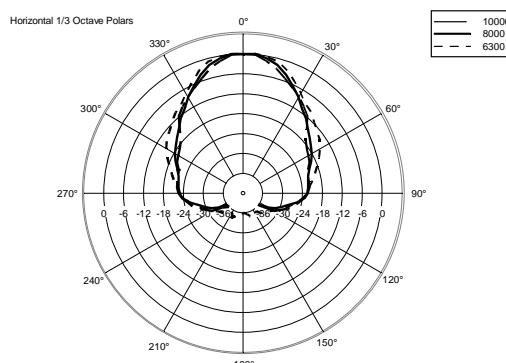
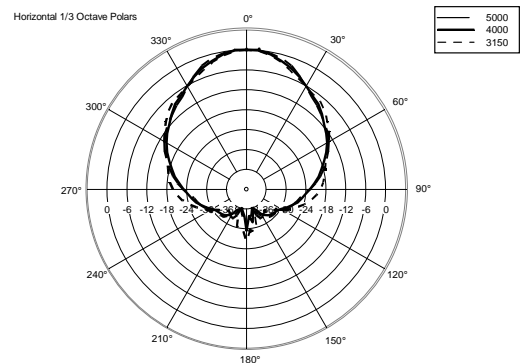
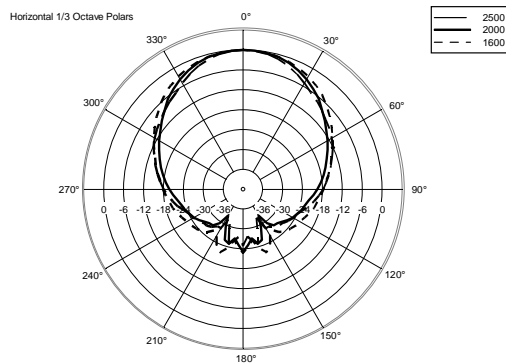
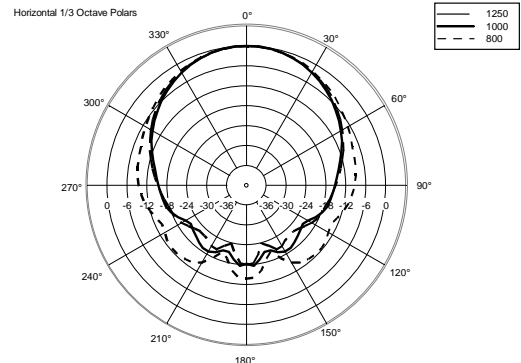
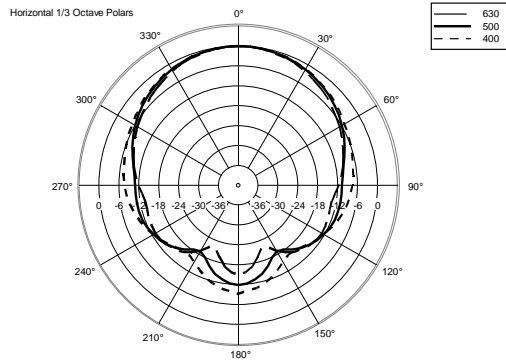
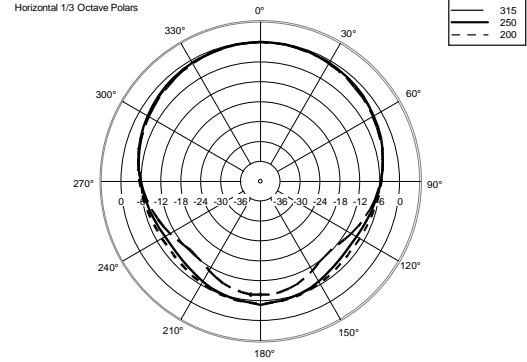
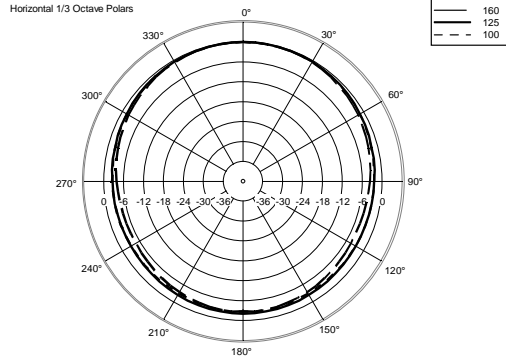




# C 5215-66

## TWO-WAY PASSIVE SPEAKER

### ACOUSTIC MEASUREMENTS





# C 5215-66

## TWO-WAY PASSIVE SPEAKER

### ACOUSTIC MEASUREMENTS

