



# BM 9804

## DESK-TOP EMERGENCY MICROPHONE CONSOLE



### Description

BM 9804 is a desk-top emergency microphone console exclusively dedicated to DXT 9000 Voice Alarm system, and can be used both for live announcements and pre-recorded messages activation. It features complete self-diagnostic functionalities and system status reporting in compliance with EN 54-16:2008 standard. Up to 16 consoles can be daisy-chained on each paging bus, and the first one is powered directly by the master unit, while the others need local 24 V DC adapters.

### Features

- › Live emergency announcements
- › Pre-recorded messages activation
- › Complete self-diagnostic
- › 3 configurable buttons and display
- › Hi-quality cardioid microphone
- › Robust metal case

### Part Number

14380024 BM 9804

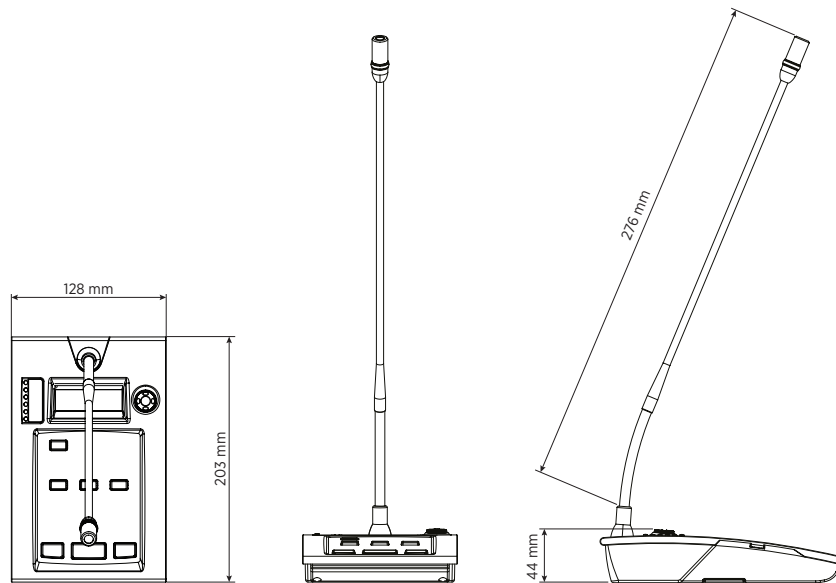
EAN 8024530007690



# BM 9804

## DESK-TOP EMERGENCY MICROPHONE CONSOLE

Line Art 2D



### TECHNICAL SPECIFICATIONS

#### Microphone specifications

Type	Electret
Directivity	Cardioid
Sensitivity	-65 dB
Frequency Response (-3dB)	50 Hz ÷ 18 kHz
Output impedance (ohm)	470.00 ohm

#### Console specifications

Console Type	Emergency
Working with	DXT 9000
General call	Yes
Selective call	Yes
Preamplified	Yes
Configurable buttons	Yes
LED indicators	Yes

#### Power requirement

Operating voltage	24.00V - Hz
-------------------	-------------

#### Connections

Connectors	RJ45
Cable	J-Type fire-rated
Daisy-chain	Yes
Max number in daisy-chain	16
Interlock	Yes

#### Functionalities

Priority	Yes
Chime tone generator	Yes

#### Accessories

Cable included	Yes
Cable length (m)	5

#### Standard compliance

Safety agency	CE compliant
EN54-16 certified	Yes
CPR number	0068-CPR-007/2015

#### Physical specifications

Cabinet/Case Material	Metal
-----------------------	-------

#### Size / Weight

Height	44 mm / 1.73 inches
Width	203 mm / 7.99 inches
Depth	128 mm / 5.04 inches
Weight	1.12 kg / 2.47 lbs



# BM 9804

DESK-TOP EMERGENCY MICROPHONE CONSOLE

Cables

## ACCESSORIES

### CABLES

12399047 CJ 428CAT

EAN 8024530016449