



WMF 33EN

TWO-WAY PASSIVE WALL MOUNT SPEAKER



Description

WMF 33EN is a two-way wall mount speaker designed for both horizontal and vertical installation. It is especially suitable for broadcasting background music into commercial spaces, but also includes alarm messages with highly intelligible voice reproduction and EN 54-24 certification. It features a UL rated plastic cabinet with a steel magnetic grille and is easy to install with its smart support system. The terminal connection blocks, for input and output flameproof cables, are made of ceramic material. A thermal fuse protects the integrity of the line in case of heat affecting the speaker.

Features

- › 2 x 3" full-range transducers with 1" dome tweeter
- › Power selectable (70 V / 100 V): 40 W - 20 W - 10 W - 5 W - 2.5 W
- › 88 dB sensitivity
- › Colour black RAL 9005
- › Voice Alarm EN 54-24 Certified
- › In/out ceramic terminal block
- › Thermal fuse protection
- › Connections integrated in the wall support
- › UL rated plastic enclosure

Part Number

13100046 WMF 33EN

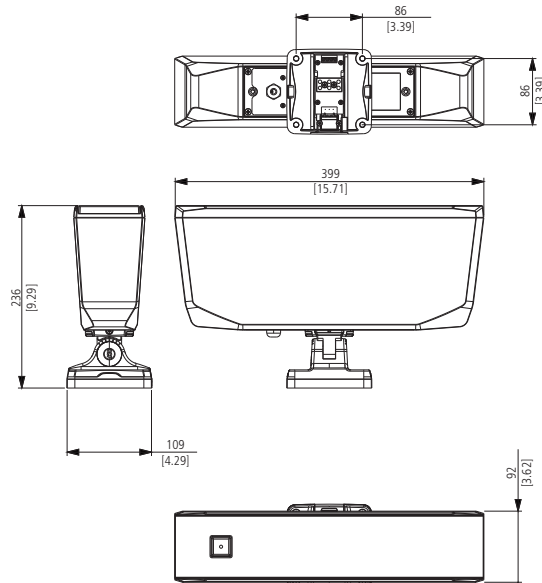
Black - RAL 9005 EAN 8024530017170



WMF 33EN

TWO-WAY PASSIVE WALL MOUNT SPEAKER

Line Art 2D



TECHNICAL SPECIFICATIONS

Acoustical specifications	Frequency Response (-10dB)	80 Hz ÷ 22000 Hz
	Max SPL @ 1m	105 dB
	Max SPL @ 4m	93 dB
	Horizontal coverage angle	100°
	Vertical coverage angle	160°
	System Sensitivity	88 dB
	System Sensitivity 1W @ 4m	76 dB
Power section	Amplification	Full Range
	Nominal Impedance	8 ohm
	Power Handling	40 W
	Peak Power Handling	160 W PEAK
	Protections	Thermal fuse - PTC
	Crossover Frequencies	2500
Transducers	Dome Tweeter	1 x 1.0" neo, 1.0" v.c
	Woofer	2 x 3.0", 1.0" v.c
Input/Output section	Input connectors	Ceramic screw terminals
	Output connectors	Ceramic screw terminals
	Constant Voltage Transformer	70/100 V
	Power selection 1	40 W - 250 ohm
	Power selection 2	20 W - 500 ohm
	Power selection 3	10 W - 1000 ohm
Standard compliance	Power selection 4	5 W - 2000 ohm
	Power selection 5	2.5 W - 4000 ohm
	Safety agency	CE compliant
	EN54-24 certified	Yes
	CPR number	0068/CPR/057-2019
Physical specifications	Cabinet/Case Material	ABS
	Hardware	Wall mount bracket
	Grille	Steel
	Color	Black - RAL 9005



WMF 33EN

TWO-WAY PASSIVE WALL MOUNT SPEAKER

Size / Weight

Height	399 mm / 15.71 inches
Width	92 mm / 3.62 inches
Depth	236 mm / 9.29 inches
Weight	5 kg / 11.02 lbs