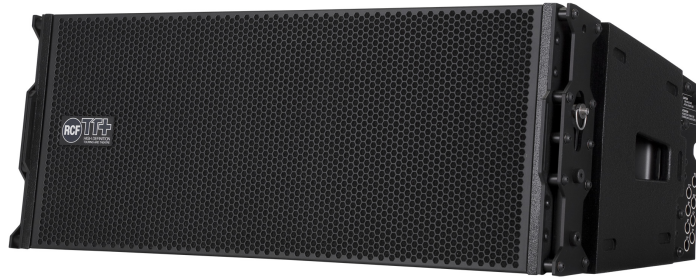




# TTL 33-A II

## ACTIVE THREE-WAY LINE ARRAY MODULE



### Description

The TTL33-A is a compact, wide dispersion, 3 way active line array module that offers the highest performance from a small size line array. The incredible high output and dynamics, the extreme accuracy and high frequency extension plus the compact size makes the TTL33-A the ideal tool for outdoor sound reinforcement, live performances and events as well as fixed installations in theatres, concert halls or auditoriums.

### Features

- › 1250 W switching amplifiers
- › wide, constant directivity, coverage angle
- › 6 high power neodymium transducers
- › High quality analog input board
- › 96 kHz, 32 bit DSP processing
- › Soft limiter and RMS protection
- › Maximum output per size available on the market
- › RDNet on board

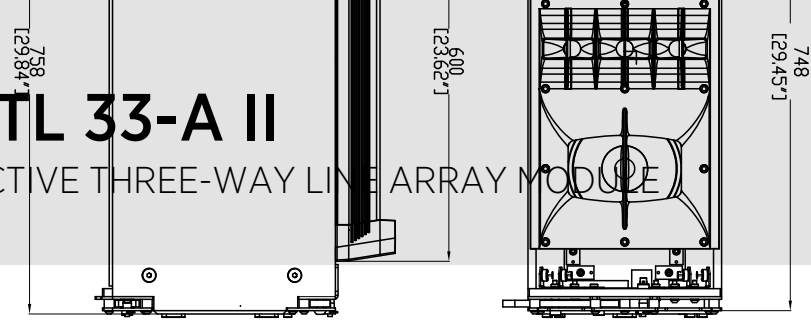
### Part Number

13000360	TTL 33-A II	220-240 V	Black	EAN 8024530009731
13000361	TTL 33-A II	115 V	Black	EAN 8024530009748

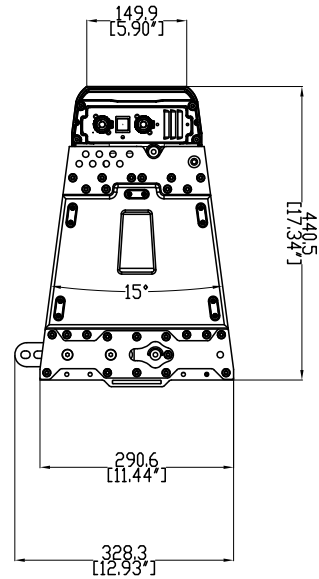


# TTL 33-A II

ACTIVE THREE-WAY LINE ARRAY MODULE



TTL 33-A



Line Art 2D

## TECHNICAL SPECIFICATIONS

<b>Acoustical specifications</b>	Frequency Response	60 Hz ÷ 20000 Hz
	Max SPL @ 1m	135 dB
	Horizontal coverage angle	100°
	Vertical coverage angle	15°
<b>Transducers</b>	Compression Driver	3 x 1.0" neo, 1.5" v.c
	Midrange	1 x 8" neo, 2.0" v.c
	Woofer	2 x 8" neo, 2.5" v.c
<b>Input/Output section</b>	Input signal	bal/unbal
	Input connectors	XLR, RDNet Ethercon
	Output connectors	XLR, RDNet Ethercon
	Input sensitivity	-2 dBu/+4 dBu
<b>Processor section</b>	Crossover Frequencies	400 Hz - 1800 Hz
	Protections	Thermal, HF
	Limiter	Fast Limiter
	Controls	HF Correction, cluster size, HPF
	RDNet	Onboard
<b>Power section</b>	Total Power	2500 W Peak, 1250 W RMS
	High frequencies	500 W Peak, 250 W RMS
	Mid frequencies	1000 W Peak, 500 W RMS
	Low frequencies	1000 W Peak, 500 W RMS
	Cooling	Convection/Forced
	Connections	Powercon IN/OUT
<b>Standard compliance</b>	Safety agency	CE compliant
<b>Physical specifications</b>	Cabinet/Case Material	Baltic birch plywood
	Hardware	Array side fittings
	Handles	2 on side
	Grille	Steel
	Color	Black



# TTL 33-A II

## ACTIVE THREE-WAY LINE ARRAY MODULE

<b>Size / Weight</b>	Height	290 mm / 11.42 inches		
	Width	760 mm / 29.92 inches		
	Depth	441 mm / 17.36 inches		
	Weight	33 kg / 72.75 lbs		
<b>Rigging / Mounting</b>	<b>ACCESSORIES</b>			
	<b>AZIMUT BRACKETS</b>			
	13360351 AZM-BR 2X	Black	EAN 8024530013516	
	<b>FLY BARS</b>			
	13360052 FL-B TTL 33	Black	EAN 8024530015428	
	<b>FLY BARS PICKUP</b>			
	13360143 SHACKLE TTL 33-31			
	<b>FLY BARS SHORT</b>			
	13360063 FL-B SH TTL 33	Black	EAN 8024530016357	
	<b>QUICK LOCK PINS</b>			
	13360060 QL-PIN D9.6 L25.4 4X		EAN 8024530017965	
	<b>STACKING KITS</b>			
	13360057 STCK-KIT TTL 33	Black		
	<b>SUSPENSION CHAINS</b>			
	13360129 HOIST SPACING CHAIN CH 001	Black	EAN 8024530020774	
	13360128 SAFETY CHAIN CH 002	Black	EAN 8024530020767	
	<b>Protections</b>	<b>RAIN PROTECTIONS</b>		
		13360083 RP 1X TTL 33	Black	EAN 8024530015916
	<b>Transportation</b>	<b>KART WITH WHEELS</b>		
		13360059 KRT-WH 4X TTL 33	Black	EAN 8024530015305
	<b>Upgrade Kits</b>	<b>CONNECTION PANELS</b>		
		13360226 RDNET INPUTS TTL 33-A II		EAN 8024530020262
<b>Cables</b>	<b>CABLES</b>			
	12399019 CBL ETHERCON TO XLR F 0.2M	Black	EAN 8024530013882	
	12399020 CBL ETHERCON TO XLR M 0.2M	Black	EAN 8024530013899	
	<b>CABLES KIT</b>			
	13360102 AC XLR 3M3F		EAN 8024530006402	
	12399016 CBL ETHERCON 0.7M	Black	EAN 8024530013844	
	12399017 CBL ETHERCON 1.5M	Black	EAN 8024530013851	
	12399035 CBL ETHERCON 3M	Black	EAN 8024530013868	
	12399018 CBL ETHERCON 5M	Black	EAN 8024530013875	
	12399023 CBL LK 25 MULTIPIN 10M	Black	EAN 8024530013837	
	12399022 CBL LK 25 MULTIPIN 20M	Black	EAN 8024530013820	
	12399024 CBL LKS 19 ARRAY FANOUT	Black	EAN 8024530013905	
	12399026 CBL LKS 19 BREAKOUT	Black	EAN 8024530013929	
	12399027 CBL LKS 19 POWER 10M	Black	EAN 8024530013936	
	13360146 CBL LKS 19 POWER 20M		EAN 8024530013943	
	12399025 CBL LKS 19 SUB FANOUT	Black	EAN 8024530013912	
	12399021 CBL LKS 25-2 FANOUT	Black	EAN 8024530013813	
	13360145 CBL POWER BOX 6X	Black	EAN 8024530015534	
	12399031 CBL POWERCON LINK 0.7M	Black	EAN 8024530013738	
	12399030 CBL POWERCON LINK 1.5M	Black	EAN 8024530013721	
	12399028 CBL POWERCON LINK 10M	Black	EAN 8024530013707	
	12399029 CBL POWERCON LINK 5M	Black	EAN 8024530013714	
13360138 POWER CABLE X6 TTL 55-A				