

H-BR TT 08 II

HORIZONTAL BRACKET



FEATURES

- SAFE AND QUICK SPEAKER INSTALLATION
- ADJUSTABLE INCLINATION
- PAINTED WITH BLACK, SCRATCH RESISTANT PAINT
- STEEL CONSTRUCTION

TECHNICAL SPECIFICATIONS

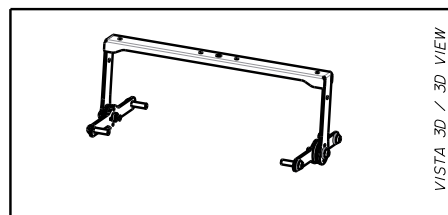
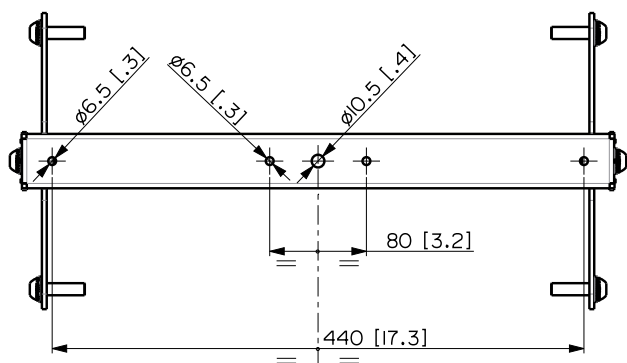
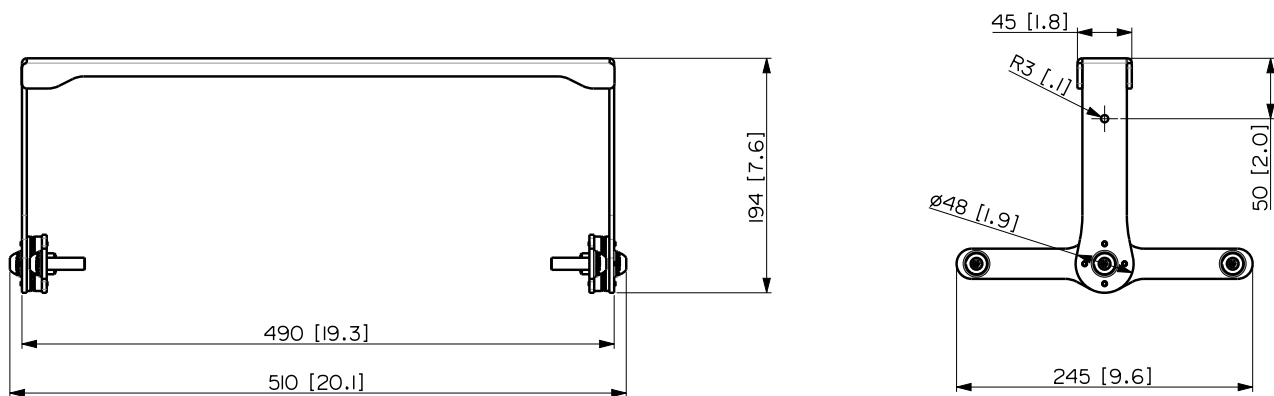
General specifications	Pieces	1
Standard compliance	CE marking:	Yes
Physical specifications	Cabinet/Case Material:	Metal
	Color:	Black
Size	Height:	48 mm / 1.89 inches
	Width:	505 mm / 19.88 inches
	Depth:	194 mm / 7.64 inches
	Weight:	2 kg / 4.41 lbs
Shipping informations	Package Height:	60 mm / 2.36 inches
	Package Width:	530 mm / 20.87 inches
	Package Depth:	220 mm / 8.66 inches
	Package Weight:	3 kg / 6.61 lbs

PART NUMBER

- **13360399**

H-BR TT 08 II

EAN 8024530016289



	HORIZONTAL BRACKET H-BR TT 08 11	REV. A
--	----------------------------------	-----------