



H-BR 005

PAIR OF HORIZONTAL BRACKETS



Description Pair of brackets for 6" cabinets horizontal wall mounting.

Standard compliance Safety agency

CE compliant

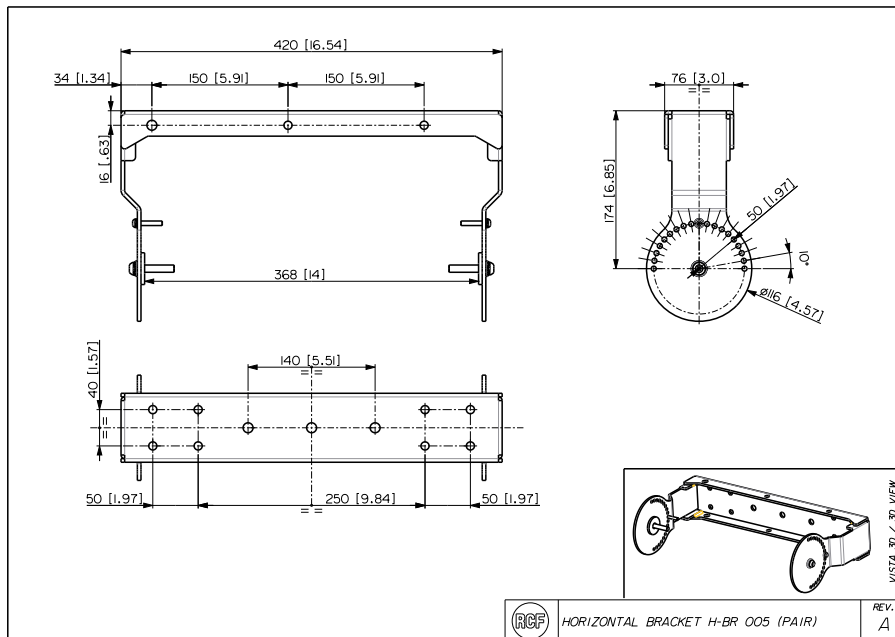
Size Weight

2.1 kg / 4.63 lbs

Physical specifications Color

Black - RAL 9005, White - RAL 9003

Line Art 2D



Part Number 13360545 H-BR 005

13360602 H-BR 005 W

Black - RAL 9005 EAN 8024530021603

White - RAL 9003 EAN 8024530021610

Technical Specifications

Products are continually improved. All specifications are therefore subject to change without notice.