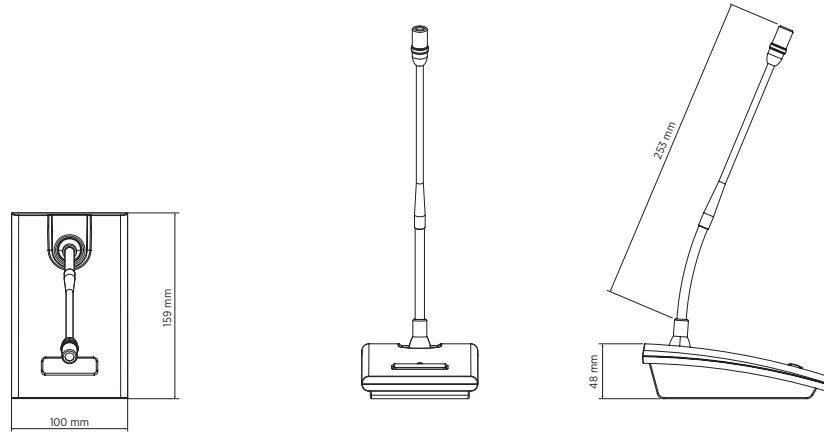




BM 3001

PAGING MICROPHONE

Line Art 2D



TECHNICAL SPECIFICATIONS

Microphone specifications	Type	Desktop paging microphone with electret capsule
	Directivity	Cardioid
	Sensitivity	-65 dB
	Frequency Response (-3dB)	50 Hz ÷ 18 kHz
	Minimum load impedance (ohm)	470.00 ohm
	Nominal output voltage @3.3 kohm (mV RMS)	100.00 mV RMS
	Phantom power	Yes
	Phantom Power	18 V DC - 48 V DC
Console specifications	Console Type	Paging
	General call	Yes
	Number of zones	1
	LED indicators	Yes
Power requirement	Power consumption	2.80 mA
Connections	Connectors	RJ45
Functionalities	Smart PTT	Yes
Accessories	Cable included	Yes
	Cable length (m)	5
Standard compliance	Safety agency	CE compliant
Physical specifications	Cabinet/Case Material	Plastic
	Color	Grey
Size	Height	48 mm / 1.89 inches
	Width	100 mm / 3.94 inches
	Depth	159 mm / 6.26 inches
	Weight	0.73 kg / 1.61 lbs