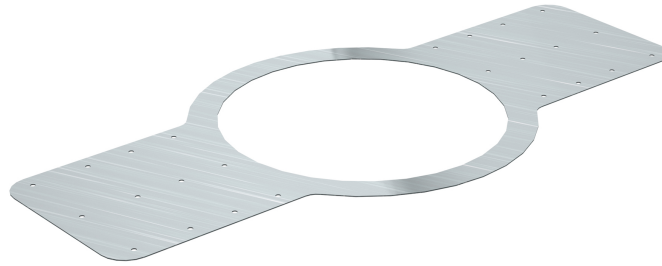




MUD RING 4X CMR

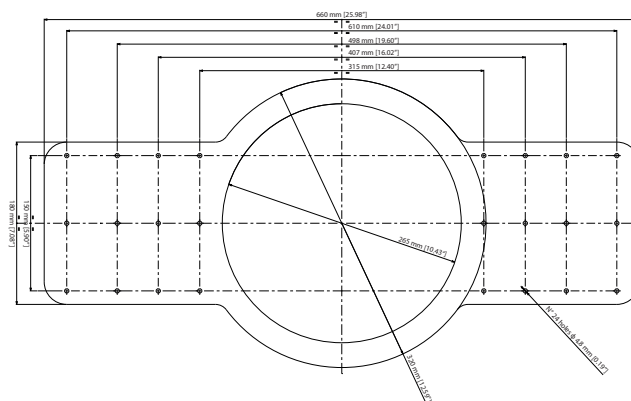
MUD RING FOR CMR SPEAKERS



Description Set of 4 mud ring accessories for CMR 60T and CMR 50T installation in new constructions ceilings.

Standard compliance Safety agency CE compliant
Size Weight 2.43 kg / 5.36 lbs

Line Art 2D



Part Number 13360490 MUD RING 4X CMR

EAN 8024530019396

Technical Specifications

RCF products are continually improved. All specifications are therefore subject to change without notice.