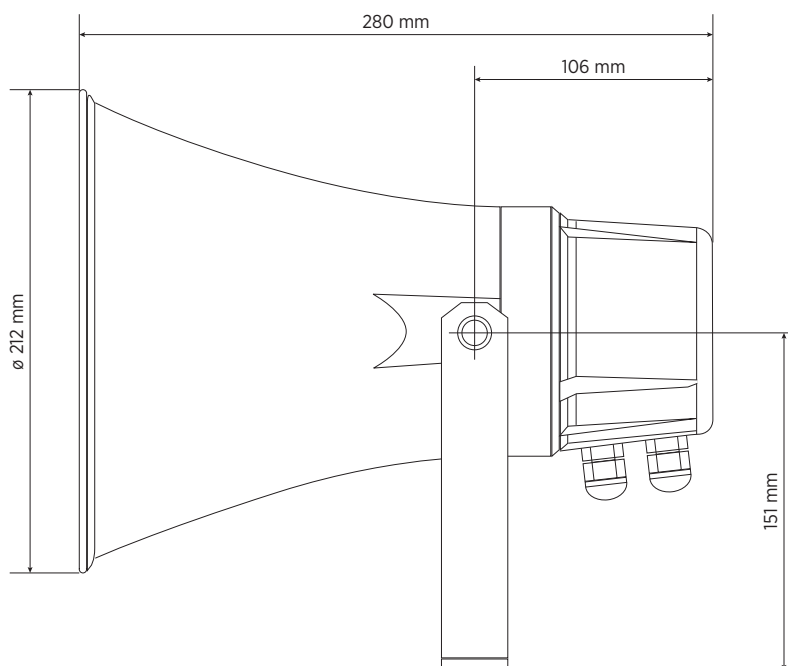
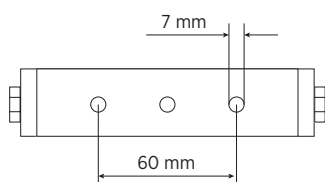
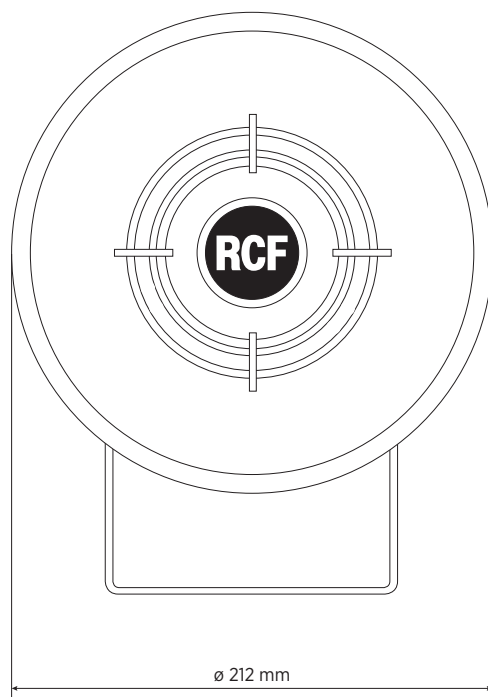
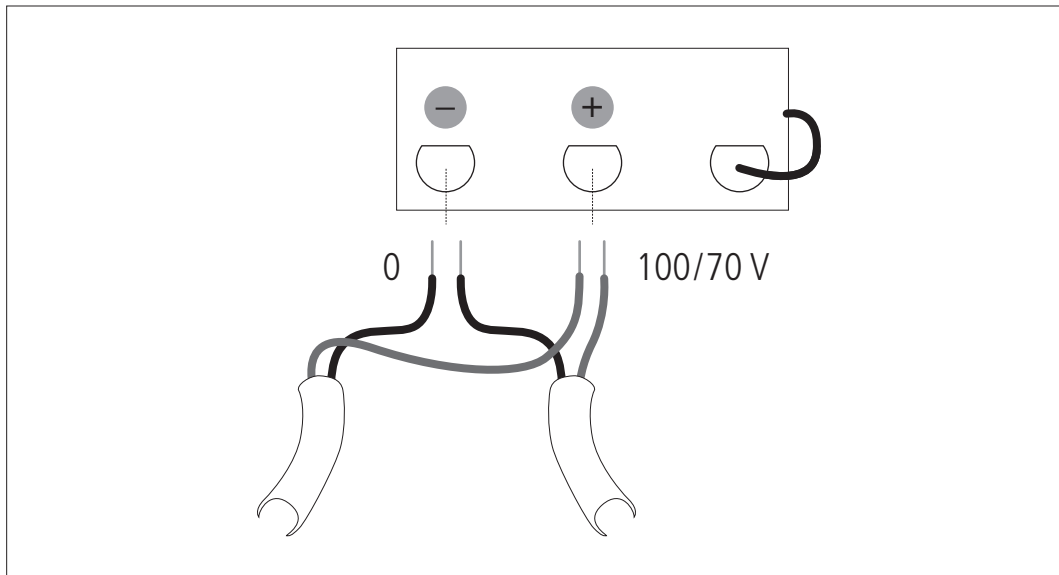


DRAWINGS



SCHEMATICS



TAPS	POWER (100 V)	POWER(70 V)
1	3.75 W	1.875 W
2	7.5 W	3.75 W
3	15 W	7.5 W
4	30 W	15 W

