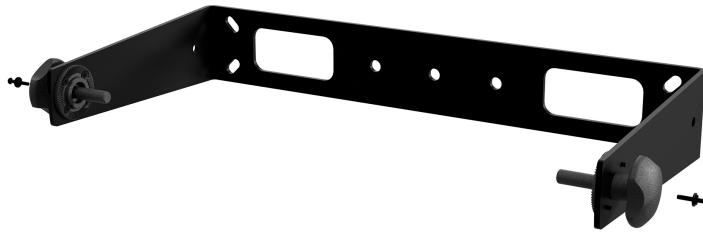




H-BR TT 515

HORIZONTAL MOUNT BRACKET



Description

H-BR Horizontal Mount Bracket for TT 515-A speaker. It features robust brackets and hardware to mount the speaker to a wall, ceiling, or truss in horizontal configuration. Adjustable inclination allows obtaining the desired sound coverage.

Standard compliance

Safety agency

CE compliant

Size

Weight

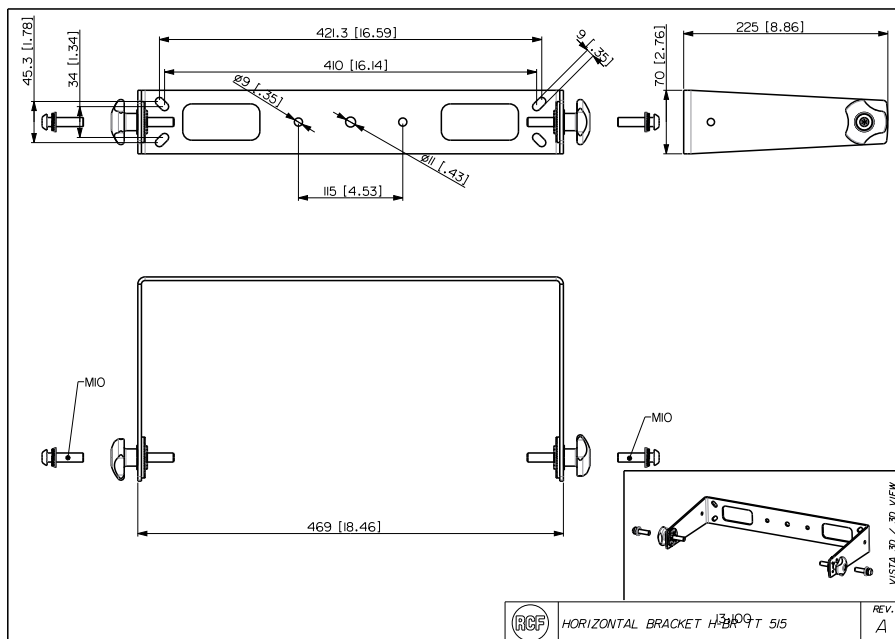
1.6 kg / 3.53 lbs

Physical specifications

Color

Black, White

Line Art 2D



Part Number

13360459 H-BR TT 515
13360640 H-BR 009 W

Black
White

EAN 8024530018948
EAN 8024530022327

Technical Specifications

Products are continually improved. All specifications are therefore subject to change without notice.