

H-BR 001

PAIR OF HORIZONTAL BRACKETS

DESCRIPTION

Pair of brackets for 15" cabinets horizontal wall mounting.



FEATURES

- Strong steel construction
- Adjustable inclination and distance from the wall
- Finished with scratch resistant paint

TECHNICAL SPECIFICATIONS

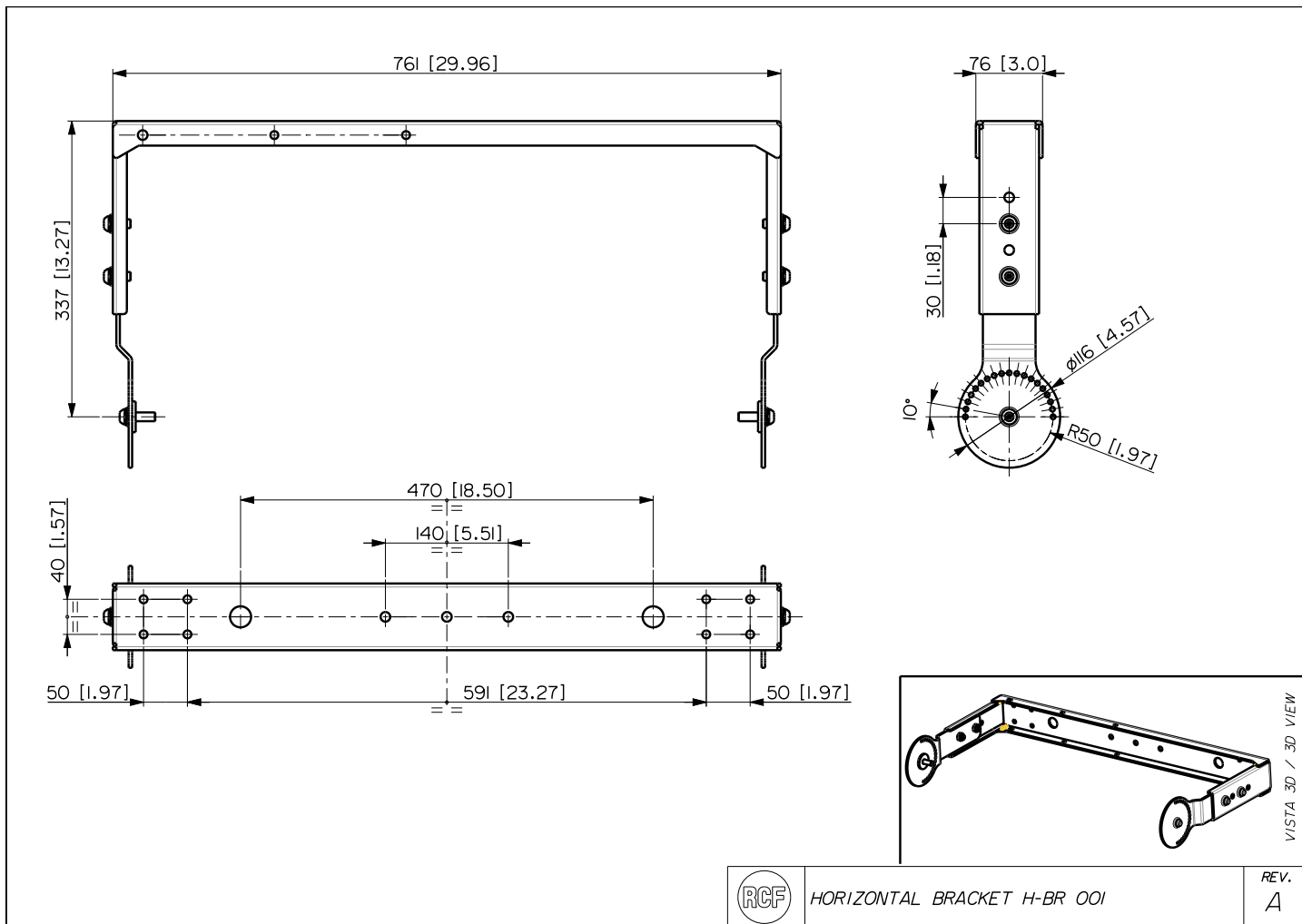
Standard compliance	Safety agency:	CE compliant
Physical specifications	Cabinet/Case Material:	Steel
	Color:	Black - RAL 9005
Size	Height:	76 mm / 2.99 inches
	Width:	761 mm / 29.96 inches
	Depth:	337 mm / 13.27 inches
	Weight:	5.3 kg / 11.68 lbs
Shipping information	Package Height:	100 mm / 3.94 inches
	Package Width:	800 mm / 31.5 inches
	Package Depth:	275 mm / 10.83 inches
	Package Weight:	12.1 kg / 26.68 lbs

PART NUMBER

- **13360535**

H-BR 001

EAN 8024530020743



HORIZONTAL BRACKET H-BR 001

REV.
A