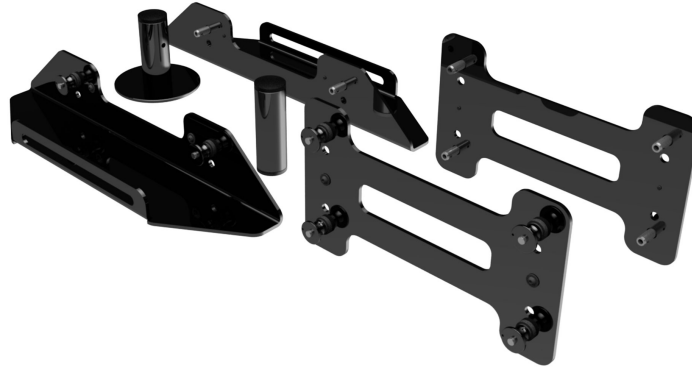




# FL-B LINK NXL 44

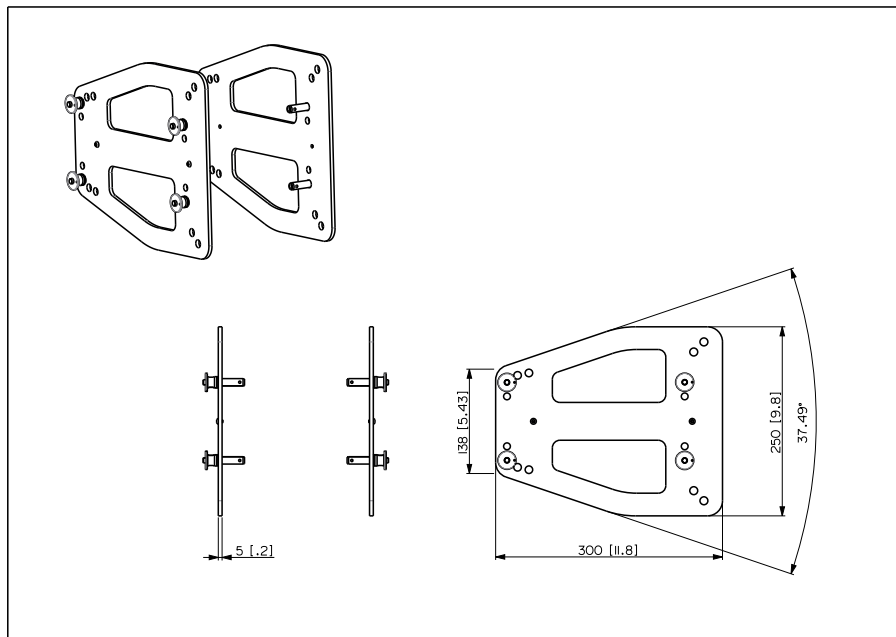
LINK ACCESSORY



**Description** Accessory to link a second NXL 44-A to a flying NXL 44-A (straight or 2 angles)

<b>Standard compliance</b>	Safety agency	CE compliant
<b>Size</b>	Weight	4 kg / 8.82 lbs
<b>Physical specifications</b>	Color	Black

**Line Art 2D**



**Part Number** 13360346 FL-B LINK NXL 44

Black

EAN 8024530013639

**Technical Specifications**

Products are continually improved. All specifications are therefore subject to change without notice.