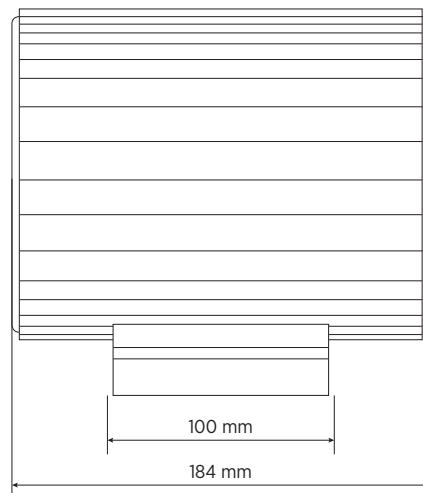
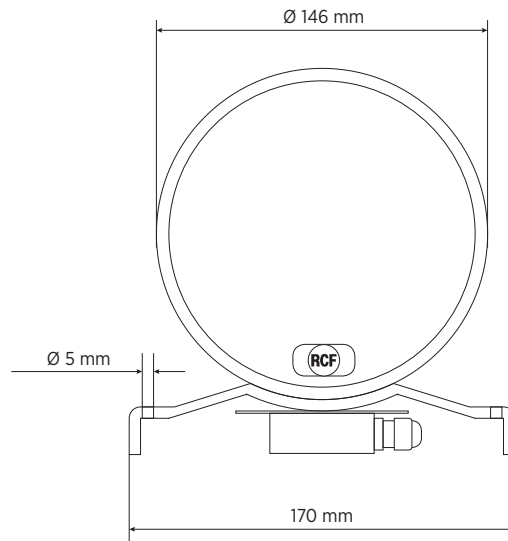
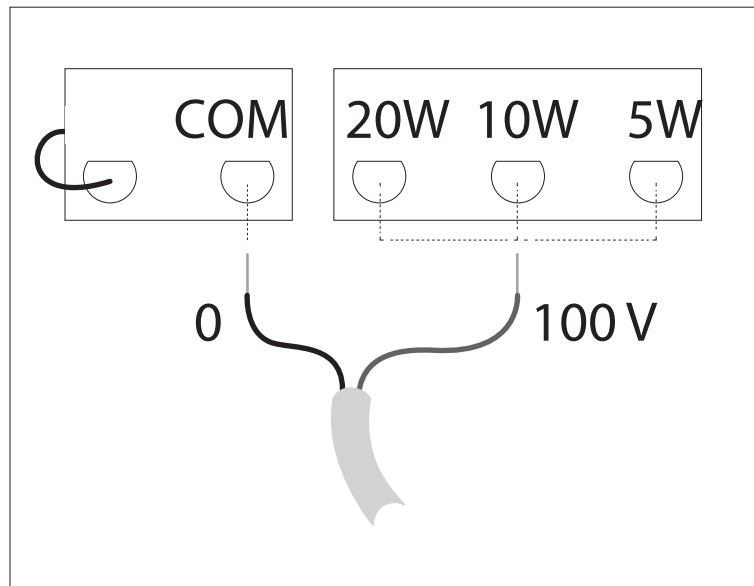


DRAWINGS



SCHEMATICS



EARTHING

In the inner side of the mounting bracket, there is a screw (M3 x 6) to earth the loudspeaker with a suitable earth wire.

