



WMR 50T

TWO-WAY WALL MOUNT MONITOR SPEAKER



Description

WMR 50T is a multipurpose two-way wall-mounted speaker, suitable for a wide range of applications. Thanks to its elegant and discreet design and accurate details, WMR 50T pairs any building's aesthetic. The high-quality transducers guarantee a precise music reproduction of the entire frequency band and provide impressive sound pressure levels for such a compact enclosure. The installation is easy thanks to the dedicated connection board inside the (included) wall mount support, which allows the installer to set the desired tilt first, fix the speaker, and finally quickly connect it without the need for any tooling.

Features

- › 40W RMS power handling
- › 110 dB max SPL
- › 80 ÷ 20000 Hz frequency range
- › 140° x 100° constant directivity coverage angle
- › 5" high power woofer
- › 1" neodymium dome tweeter
- › Self-extinguishing plastic cabinet and aluminum front grille
- › Connection board integrated into the wall support
- › 4 pole EUROBLOCK connector (audio input and parallel link output)
- › IP55 protection grade

Part Number

13100051 WMR 50T
13100074 WMR 50T W

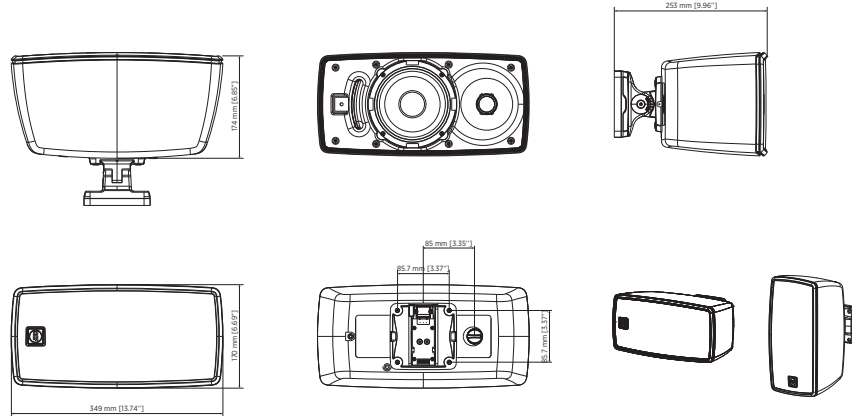
Black - RAL 9005 EAN 8024530017460
White - RAL 9003 EAN 8024530020033



WMR 50T

TWO-WAY WALL MOUNT MONITOR SPEAKER

Line Art 2D



TECHNICAL SPECIFICATIONS

Acoustical specifications	Frequency Response (-10dB)	80 Hz ÷ 20000 Hz
	Max SPL @ 1m	110 dB
	Horizontal coverage angle	140°
	Vertical coverage angle	100°
	System Sensitivity	88 dB
Power section	Amplification	Full Range
	Nominal Impedance	8 ohm
	Power Handling	40 W RMS
	Peak Power Handling	160 W PEAK
	Protections	Bulb lamp
	Crossover Frequencies	2500
	Recommended Amplifiers	DMA 504, DMA 162, DMA 82, DMA 162P
Transducers	Dome Tweeter	1 x 1.0" neo, 1.0" v.c
	Woofers	1 x 5.0", 1.0" v.c
Input/Output section	Input connectors	Euroblock
	Output connectors	Euroblock
	Constant Voltage Transformer	70/100 V
	Power selection 1	40 W - 250 ohm
	Power selection 2	20 W - 500 ohm
	Power selection 3	10 W - 1000 ohm
Standard compliance	Power selection 4	5 W - 2000 ohm
	Power selection 5	2.5 W - 4000 ohm
	IP protection grade	IP 55
	Safety agency	CE compliant, UL 1480A
	Physical specifications	Cabinet/Case Material
Hardware		Wall mount bracket
Grille		Steel
Color		Black - RAL 9005, White - RAL 9003



WMR 50T

TWO-WAY WALL MOUNT MONITOR SPEAKER

Size / Weight

Height	349 mm / 13.74 inches
Width	170 mm / 6.69 inches
Depth	253 mm / 9.96 inches
Weight	4.2 kg / 9.26 lbs