

# UP 9504

## POWER AMPLIFIER UNIT

### DESCRIPTION

UP 9504 is the DXT 9000 system power amplifier unit equipped with 4 x 125 W Class D power amplifier and can be connected to both MU and MX master units to implement the desired system's total power.



### FEATURES

- 4 x 125 W power amplifier
- Background music local input
- Dual AC and DC power supply
- Monitored speakers outputs
- PC software configuration
- 12 configurable monitored GPI
- 8 configurable monitored GPO

## TECHNICAL SPECIFICATIONS

<b>System specifications</b>	Number of zones managed:	4
	Built-in power amplifier:	Yes
	Spare amplifier automatic change-over:	Yes
	Number of simultaneous emergency audio channels:	3
	Communication bus:	RCF bus
	Connection Cables:	FTP CAT 5, FTP CAT 6, J-Type fire-rated
	Remote monitoring:	Yes
<b>Amplifier specifications</b>	Amplifier Class:	D
	Number of channels:	4
	Power output (@ 100 V):	500 W RMS
	Frequency Response (-3dB):	20 Hz ÷ 20000 kHz
	Distortion (THD+N) @ 1 kHz nominal power:	<0.01 %
	Line ring:	Yes
<b>Input section</b>	Total number of inputs:	3
	Balanced:	2
	Unbalanced:	1
	Mono:	3
	Line inputs:	3
	Line connectors:	Euroblock, RCA
	General Purpose Inputs (GPI):	12
	Programmable GPI:	Yes
	Monitored GPI:	8
Photo-coupled GPI:	4	
<b>Output section</b>	Signal output number:	1
	Signal output connectors:	JACK
	Power output connectors:	Euroblock
	General Purpose Outputs (GPO):	8
	Programmable GPO:	Yes
	Monitored GPO:	8
<b>Processing</b>	DSP:	Yes
	EQ Filters:	Yes
	Compressors:	Yes
	Delay:	Yes
	Tone controls:	Yes
	High-pass filter:	200 Hz
	Automatic Gain Control (ACG):	Yes
<b>Controls</b>	Configuration:	Front panel, PC Software



<b>Protections</b>	Cooling:	Convection/Forced
	Short circuit:	Yes
	Thermal:	Yes
	DC:	Yes
	Fuses:	Yes
	VHF (Very High Frequencies):	Yes
<b>Power requirement</b>	Operating voltage:	220-240/115 V- 50/60Hz
	Voltage selection:	Internal
	DC power:	Yes
	DC power value:	48 V
	Max current AC 230V:	4
	Max current DC:	15
	Power consumption:	800 W
<b>Standard compliance</b>	EN54-16 certified:	Yes
	CPR number:	0068-CPR-002/2014
<b>Physical specifications</b>	Cabinet/Case Material:	Metal
	Rack mounting:	19", 2U
<b>Size</b>	Height:	88 mm / 3.46 inches
	Width:	482 mm / 18.98 inches
	Depth:	350 mm / 13.78 inches
	Weight:	8.15 kg / 17.97 lbs
<b>Shipping information</b>	Package Height:	230 mm / 9.06 inches
	Package Width:	550 mm / 21.65 inches
	Package Depth:	480 mm / 18.9 inches
	Package Weight:	9.53 kg / 21.01 lbs

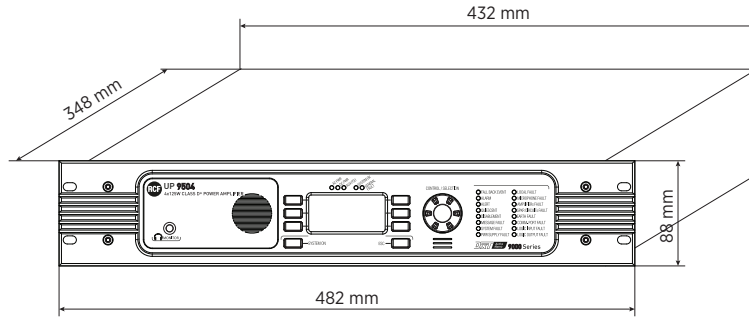
**PART NUMBER**

- **17170170**

UP 9504

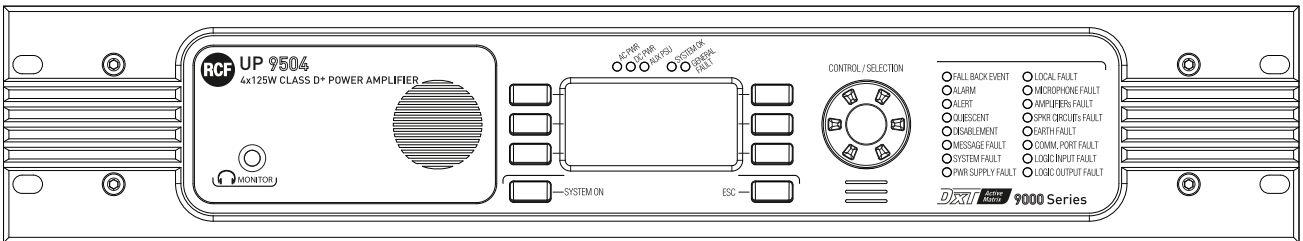
EAN 8024530010997

**DRAWINGS**

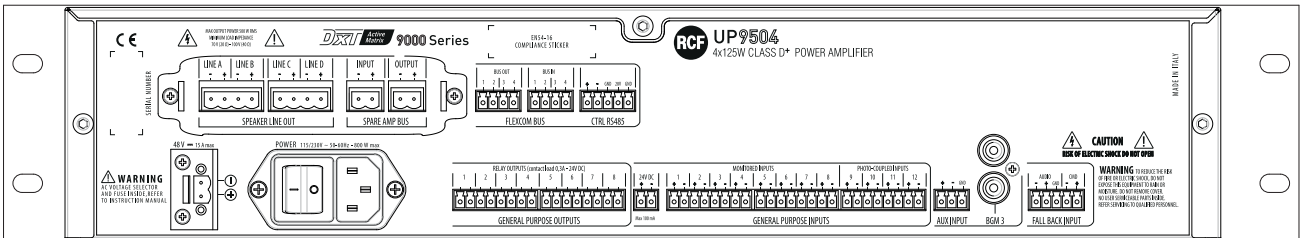


**PANELS**

Front panel



Rear panel



**ACCESSORIES**



CJ 428CAT CABLE FTP 4x2x22 AWG CAT 5E FR  
(PH120)

PART NUMBER **12399047**  
EAN: 8024530016449

---