



KRT-WH 6X HDL 6

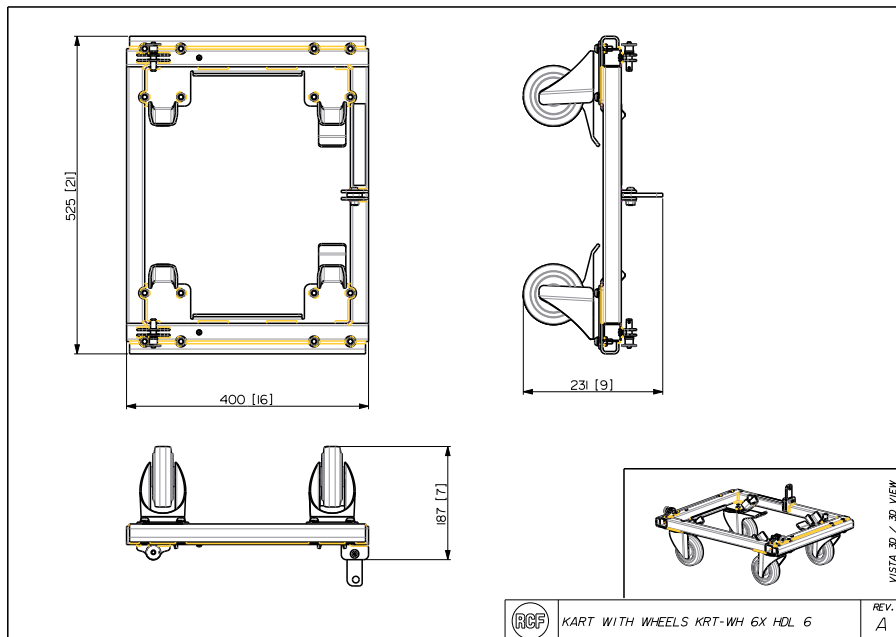
KART WITH WHEELS



Description Cart to store and transport up to 6 modules for HDL 6-A or HDL 26-A or HL 6.

Standard compliance	Safety agency	CE compliant
Size	Weight	10 kg / 22.05 lbs
Physical specifications	Color	Black

Line Art 2D



Part Number	13360366 KRT-WH 6X HDL 6	Black	EAN 8024530014421
--------------------	--------------------------	-------	-------------------

Technical Specifications

RCF products are continually improved. All specifications are therefore subject to change without notice.