

# FL-B H TT 4

## HORIZONTAL FLY-BAR

### DESCRIPTION

TT 4 series Fly Bar for the horizontal deployment of 4 modules maximum. Two fly bars can arrange up to 8 modules in one horizontal array.



### FEATURES

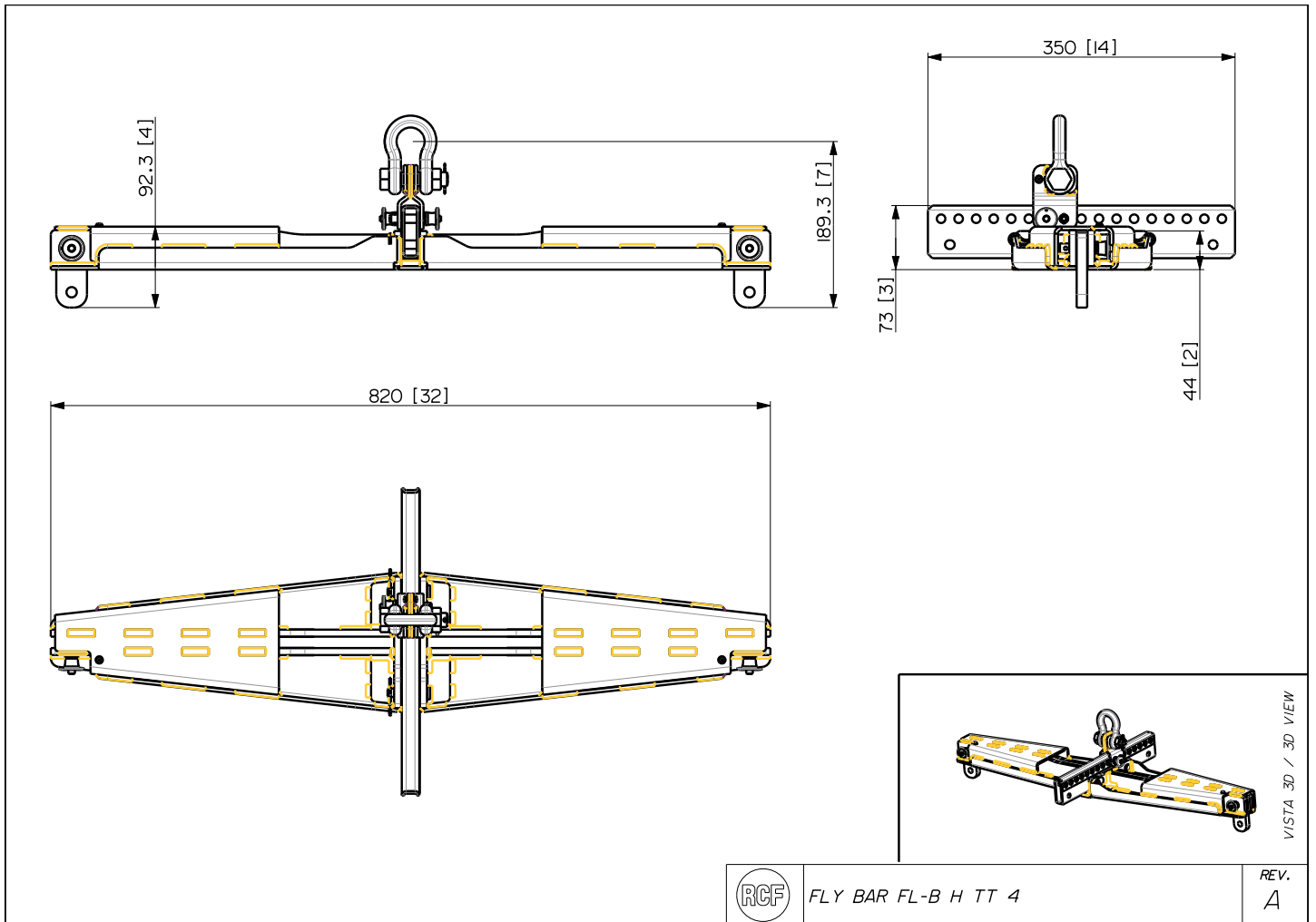
- SAFE AND QUICK SPEAKER INSTALLATION
- ADJUSTABLE INCLINATION
- PAINTED WITH BLACK, SCRATCH-RESISTANT PAINT
- STEEL CONSTRUCTION
- PIN INCLUDED
- PICK-UP POINT INCLUDED

**TECHNICAL SPECIFICATIONS**

<b>Physical specifications</b>	Cabinet/Case Material:	Steel
<b>Size</b>	Height:	218 mm / 8.58 inches
	Width:	820 mm / 32.28 inches
	Depth:	350 mm / 13.78 inches
	Weight:	10 kg / 22.05 lbs
<b>Shipping information</b>	Package Height:	125 mm / 4.92 inches
	Package Width:	190 mm / 7.48 inches
	Package Depth:	830 mm / 32.68 inches
	Package Weight:	11 kg / 24.25 lbs

**PART NUMBER**

- **13360425**  
FL-B H TT 4



FLY BAR FL-B H TT 4

REV. A