



DU 60EN

UNIVERSAL WALL AND CEILING STEEL SPEAKER



Description

DU 60EN is a universal speaker designed for wall and ceiling installation. It is especially suitable for broadcasting alarm messages thanks to the highly intelligible sound reproduction and its resistance to high temperatures reached during fires. The terminal connection blocks, for input and output flameproof cables, are made of ceramic material. A thermal fuse protects the integrity of the line in case of heat affecting the speaker. Ground screw available (if needed). Cables inside speaker made using flameproof leads.

Features

- › 5" fullrange transducer.
- › Power selectable (100 V): 6 W - 3 W - 1.5 W - 0.75 W.
- › 94 dB sensitivity.
- › Colour white RAL 9016.
- › Steel body and grille.
- › In/out ceramic terminal block.
- › Thermal fuse protection.

Part Number

13133083 DU 60EN

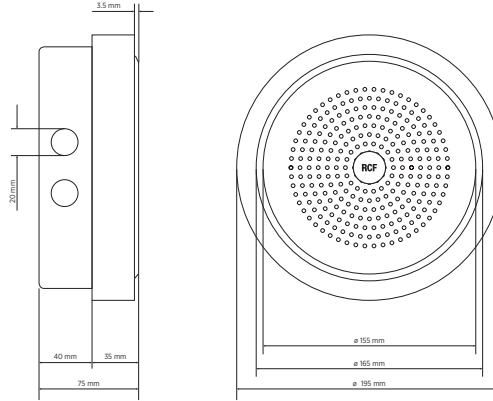
White - RAL 9016 EAN 8024530012571



DU 60EN

UNIVERSAL WALL AND CEILING STEEL SPEAKER

Line Art 2D



TECHNICAL SPECIFICATIONS

Acoustical specifications	Frequency Response (-10dB)	100 Hz ÷ 20000 Hz	
	Max SPL @ 1m	100 dB	
	Max SPL @ 4m	88 dB	
	Coverage angle	180°	
	System Sensitivity	94 dB	
	System Sensitivity 1W @ 4m	82 dB	
Power section	Power Handling	6 W	
	Peak Power Handling	24 W PEAK	
	Protections	Thermal fuse	
	Recommended Amplifiers	DXT 3000, DXT 4000, DXT 7000	
Transducers	Fullrange	1 x 5.0"	
Input/Output section	Input connectors	Ceramic screw terminals	
	Output connectors	Ceramic screw terminals	
	Constant Voltage Transformer	100 V	
	Power selection 1	6 W - 1667 ohm	
	Power selection 2	3 W - 3333 ohm	
	Power selection 3	1.5 W - 6667 ohm	
Standard compliance	Power selection 4	0.75 W - 13333 ohm	
	Safety agency	CE compliant	
	EN54-24 certified	Yes	
Physical specifications	CPR number	1488-CPR-0488/W	
	Size	Color	White - RAL 9016
		Depth	75 mm / 2.95 inches
		Diameter	195 mm / 7.68 inches
Weight	1.61 kg / 3.55 lbs		