



V-BR TT 515

VERTICAL MOUNT BRACKET



Description

V-BR Vertical Mount Bracket for TT 515-A speaker. It features robust brackets and hardware to mount the speaker system to a wall, ceiling, or truss in vertical configuration. Adjustable inclination allows obtaining the desired sound coverage.

Standard compliance

Safety agency

CE compliant

Size

Weight

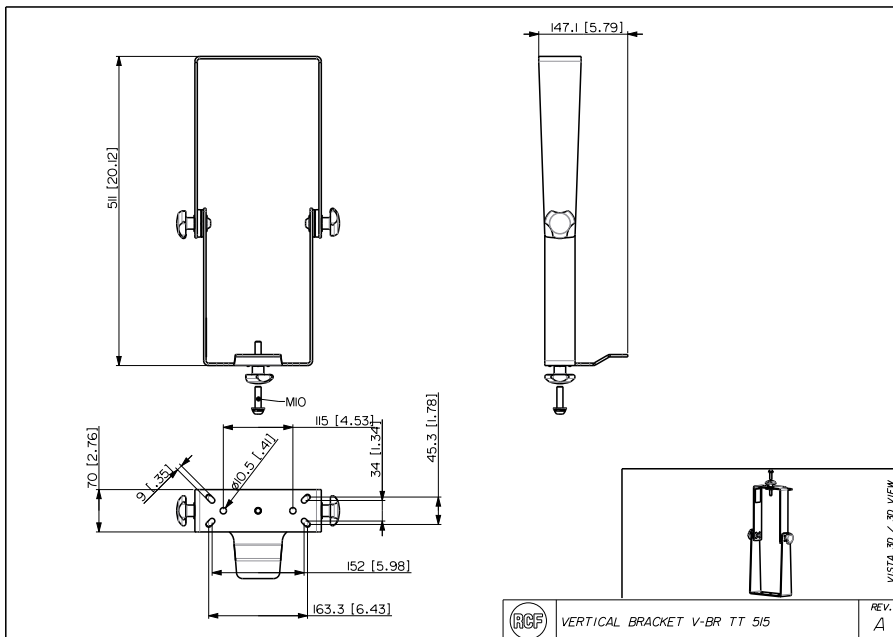
3.5 kg / 7.72 lbs

Physical specifications

Color

Black

Line Art 2D



Part Number

13360484 V-BR TT 515

Black

EAN 8024530018931

Technical Specifications

Products are continually improved. All specifications are therefore subject to change without notice.