

SWM-BR VSA II

PAIR OF SWIVEL BRACKETS

DESCRIPTION

Each kit includes a pair of swivel brackets for wall mounting of a single RCF VSA 2050 II \ VSA 1250 II \ VSA 850 II Digitally steerable array loudspeaker system, with a horizontal angle pointing up to 60°.



FEATURES

- Two mounting points for the VSA loudspeaker rear side.
- Three holes for wall mounting through M5 wall plugs.
- Two bolts and nuts (used as pins) can be tightened to fix the VSA loudspeaker when the horizontal angle pointing is correct.
- Two holes to secure the VSA loudspeaker to the swivel bracket through two screws (M5x10).

**TECHNICAL SPECIFICATIONS**

General specifications	Mounting points	2
	Orientation	Horizontal
	Maximum angle	60°
Standard compliance	CE marking:	Yes
Physical specifications	Color:	White - RAL 9003, Black - RAL 9005
Size	Width:	318 mm / 12.52 inches
	Weight:	1.5 kg / 3.31 lbs
Shipping informations	Package Height:	74 mm / 2.91 inches
	Package Width:	314 mm / 12.36 inches
	Package Depth:	154 mm / 6.06 inches
	Package Weight:	1.7 kg / 3.75 lbs

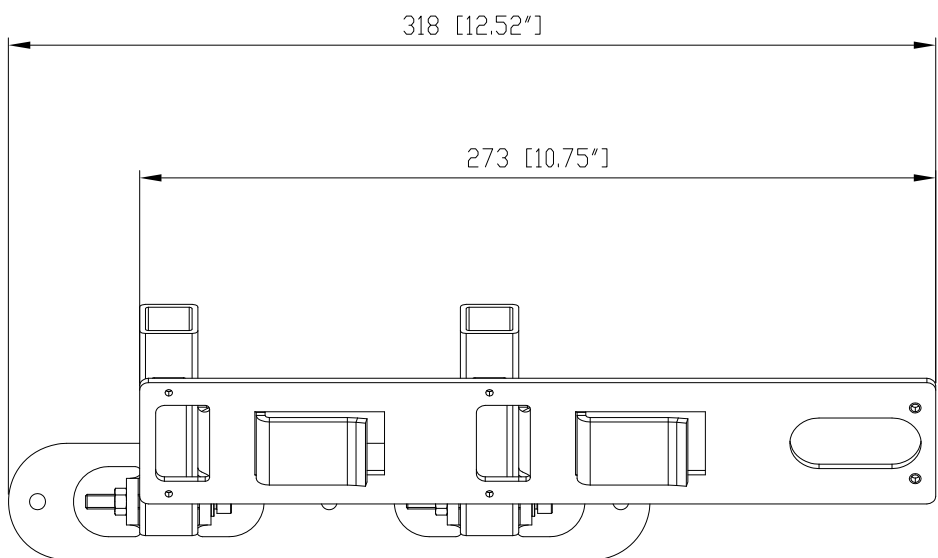
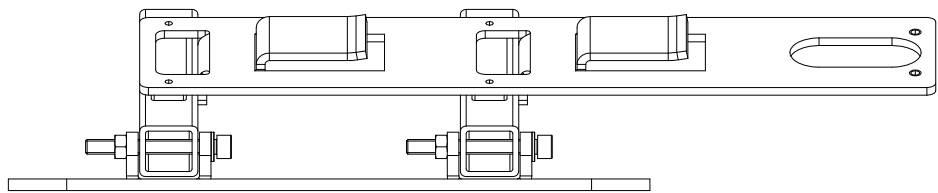
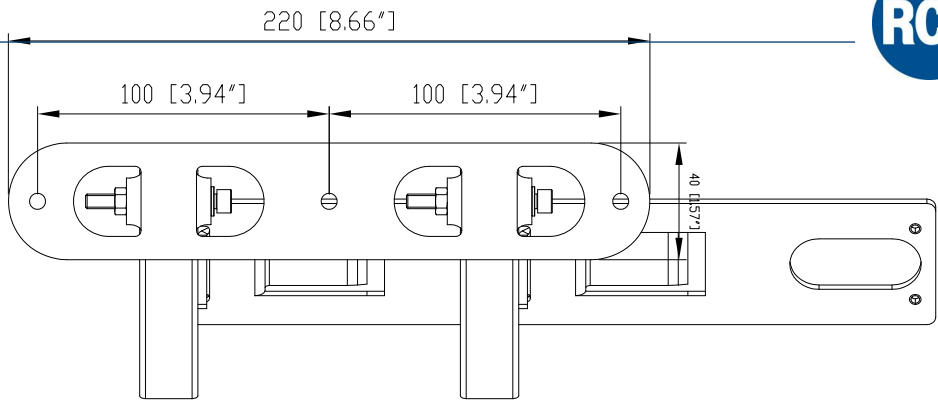
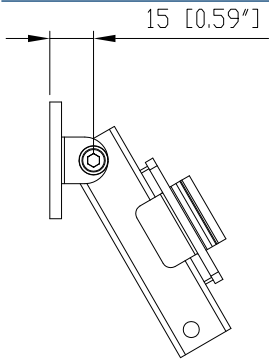
PART NUMBER• **13360442**

SWM-BR VSA II BLACK
Black - RAL 9005

• **13360410**

SWM-BR VSA II
White - RAL 9003
EAN 8024530016111

DATASHEET



AC VSA S-BR