



NX 945-A

PROFESSIONAL ACTIVE SPEAKER



Description

NX 945-A is masterfully engineered from the ground up to deliver stellar audio performance for sound providers, small bands and DJs. The combination of a 4" titanium/neodymium compression driver, 15" neodymium woofer - two-channel 2,100W amplifier, and the constant directivity True Resistive Waveguide produces coherent 100° x 70° coverage for the listening area with up to 135 dB SPL, distortion-free sound. Used as a stand-alone speaker for a FOH system, satellite (with subwoofer), stage monitor, or flown speaker, the NX 945-A blends high performance and reliability in a compact package. Merging RCF proprietary FIRPHASE and Bass Motion Control DSP processing, perfectly tuned for each model, the audience will experience absolute sound clarity and deep, powerful bass response. The tour-ready, rugged all-wood cabinet is easy to carry and secure to install on a pole-, flown-, wall-, or truss-mounted using the dedicated rigging points available.

Features

- › Up to 135 dB Sound Pressure Level
- › 2100W Class-D Bi-Amplification
- › 45-20000 Hz linear frequency response
- › 4" Titanium/Neodymium Compression Driver
- › 15" neodymium Woofer
- › FIRPHASE zero degrees phase technology
- › Bass Motion Control woofer excursion management
- › Six M10 and four Quick Lock rigging points

Part Number

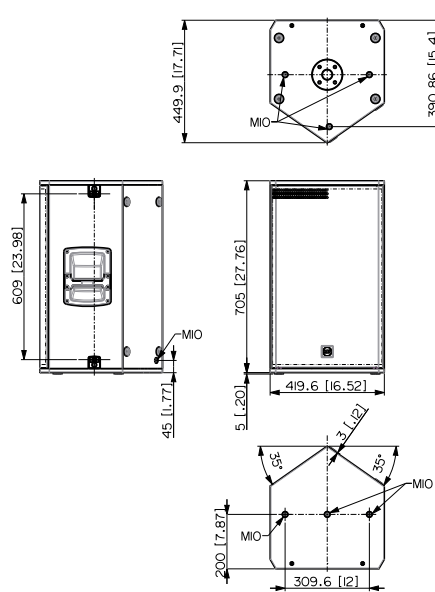
13000768 NX 945-A	220-240 V	Black	EAN 8024530021122
13000769 NX 945-A	100-120 V	Black	EAN 8024530021665
13000875 NX 945-A W	100-120 V	White	EAN 8024530021887
13000876 NX 945-A W	220-240 V	White	EAN 8024530022037



NX 945-A

PROFESSIONAL ACTIVE SPEAKER

Line Art 2D



TECHNICAL SPECIFICATIONS

Acoustical specifications	Frequency Response	45 Hz ÷ 20000 Hz
	Max SPL @ 1m	135 dB
	Horizontal coverage angle	100°
	Vertical coverage angle	70°
Transducers	Compression Driver	1 x 1.4" neo, 4.0" v.c
	Woofer	15" neo, 3.5" v.c
Input/Output section	Input signal	bal/unbal
	Input connectors	Combo XLR/Jack
	Output connectors	XLR
	Input sensitivity	-2 dBu/+4 dBu
Processor section	Crossover Frequencies	650Hz
	Protections	Thermal, RMS
	Limiter	Soft Limiter
	Controls	Linear, Boost, Stage, Volume
Power section	Total Power	2100 W Peak
	High frequencies	700 W Peak
	Low frequencies	1400 W Peak
	Cooling	Convection
	Connections	Powercon TRUE1 TOP IN/OUT
Standard compliance	Safety agency	CE compliant
Physical specifications	Cabinet/Case Material	Plywood
	Hardware	2 x M10 Top, 1 x M10 each side, 1 x M10 bottom, 1 x M10 rear 2 each side quick lock pin seat
	Handles	1 x Side
	Pole mount/Cap	35 mm insert
	Grille	Steel
	Color	Black, White



NX 945-A

PROFESSIONAL ACTIVE SPEAKER

Size	Height	705 mm / 27.76 inches		
	Width	420 mm / 16.54 inches		
	Depth	451 mm / 17.76 inches		
	Weight	27.3 kg / 60.19 lbs		
Rigging / Mounting	ACCESSORIES			
	FLOOR STANDS			
	13360109 AC PRO-FS	Black	EAN 8024530006471	
	FLYING BRACKETS			
	13360031 AC EB 4X		EAN 8024530018870	
	HORIZONTAL BRACKETS			
	13360506 2X PLATE H-BR NX 910-912-915	Black	EAN 8024530020057	
	13360535 H-BR 001	Black - RAL 9005	EAN 8024530020743	
	13360687 HBR60687	White		
	POLE MOUNT KITS			
	13360110 AC PRO-PM	Black	EAN 8024530006488	
	VERTICAL BRACKETS			
	13360398 V-BR NX 45	Black	EAN 8024530015510	
	Protections	BAGS, COVERS		
		13360497 CVR NX 915	Black	EAN 8024530019501
RAIN PROTECTIONS				
13360515 RP 001	Black - RAL 9005	EAN 8024530020460		