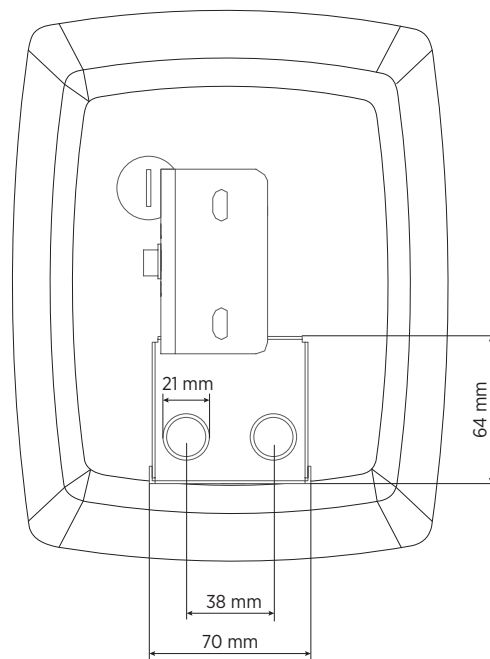
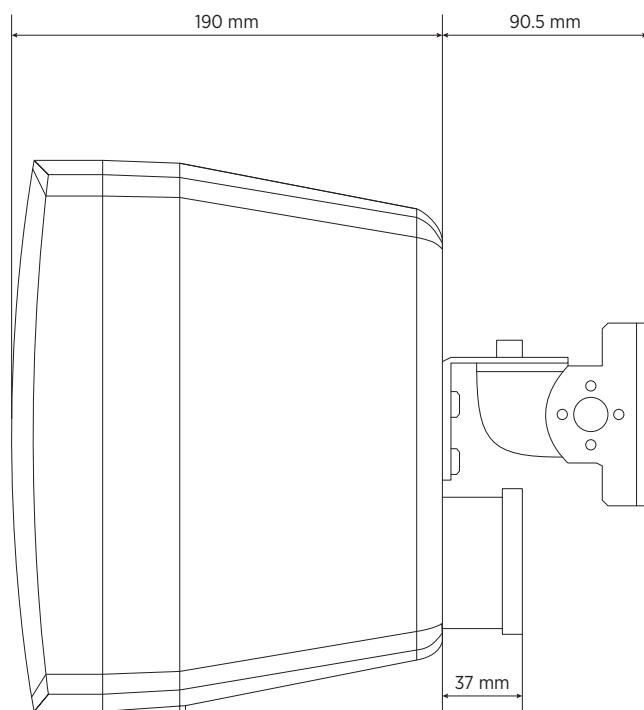
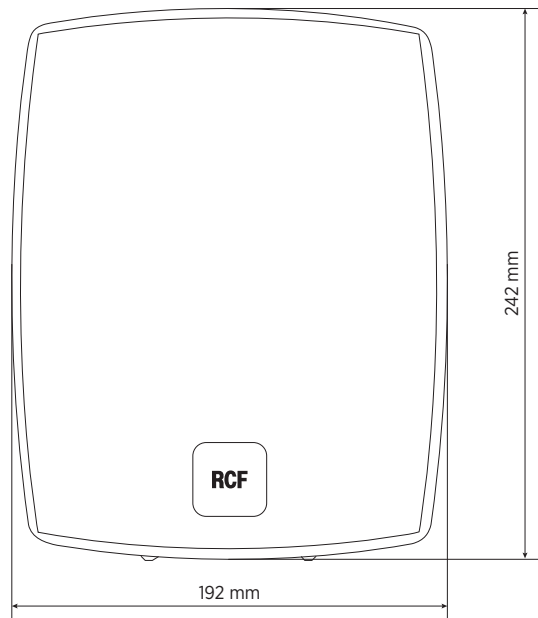


# DRAWINGS



## SCHEMATICS

