

# FL-B HL

## SUSPENDING BAR FOR HL SYSTEM

### DESCRIPTION

Suspending bar for HL line array system



### FEATURES

- To suspend HL 2240, HL 2260, HL 2290, HS 2200
- Strong steel construction

**TECHNICAL SPECIFICATIONS**

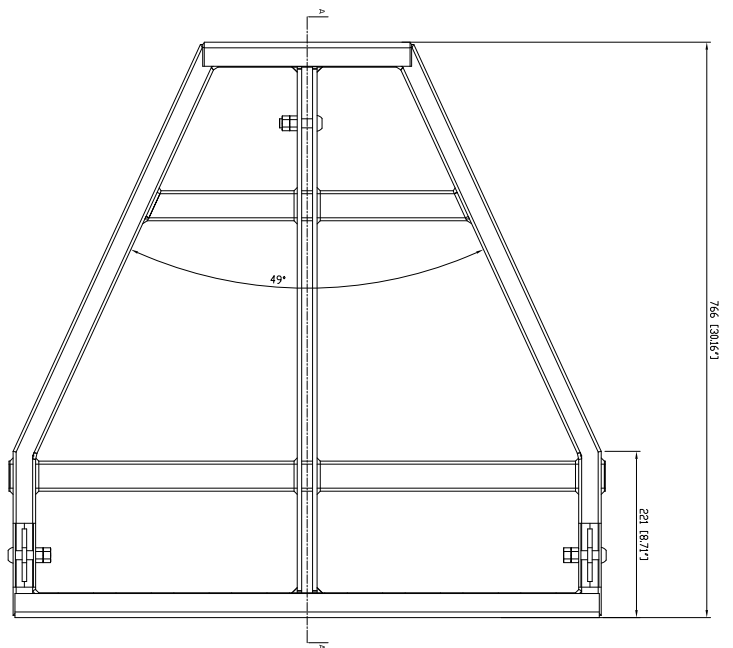
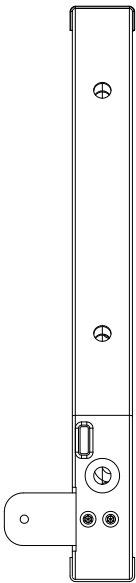
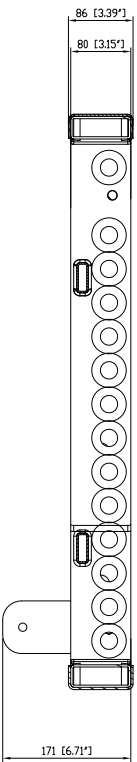
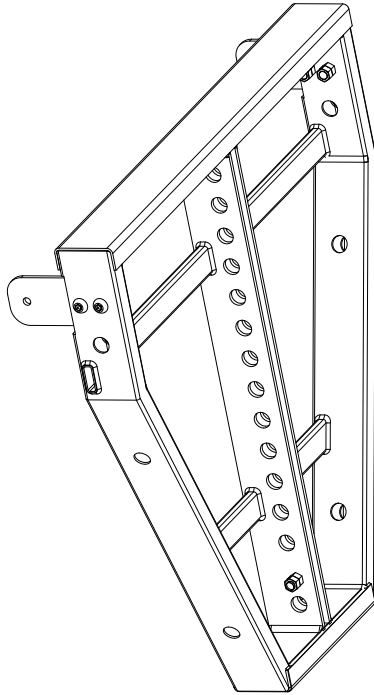
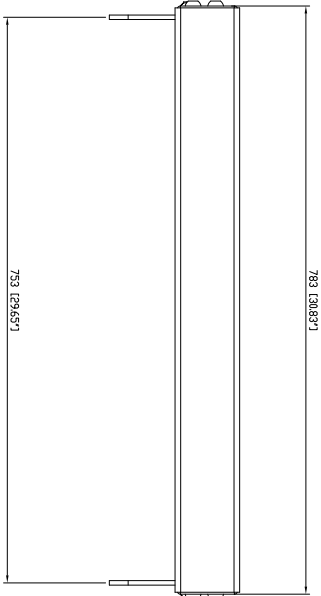
<b>General specifications</b>	Compatible models	HL 2240, HL 2260, HL 2290, HS 2200
<b>Standard compliance</b>	CE marking:	Yes
<b>Physical specifications</b>	Cabinet/Case Material:	Steel
	Color:	Black
<b>Size</b>	Weight:	22.2 kg / 48.94 lbs
<b>Shipping informations</b>	Package Height:	106 mm / 4.17 inches
	Package Width:	865 mm / 34.06 inches
	Package Depth:	845 mm / 33.27 inches
	Package Weight:	26.5 kg / 58.42 lbs

**PART NUMBER**

- **13360282**

FL-B HL

EAN 8024530011734



FLYBAR  
HL2260