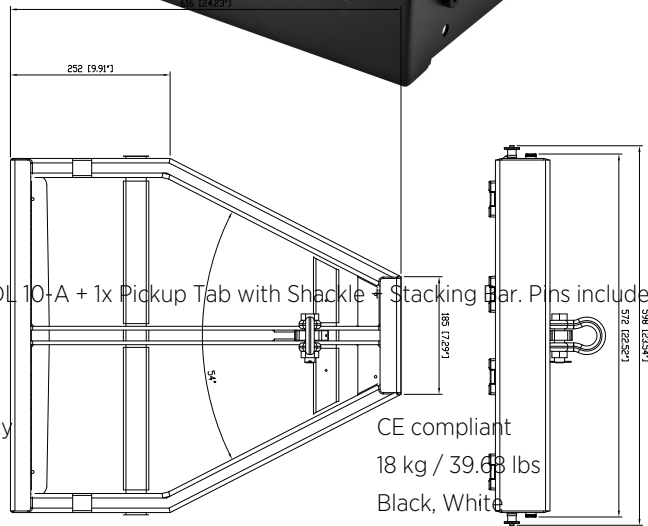




FL-B HDL 10

SUSPENDING BAR FOR HDL 10-A



Description

Flybar for HDL 10-A + 1x Pickup Tab with Shackle + Stacking Bar. Pins included.

Standard compliance

Safety agency

CE compliant

Size

Weight

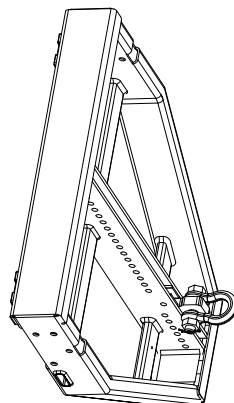
18 kg / 39.68 lbs

Physical specifications

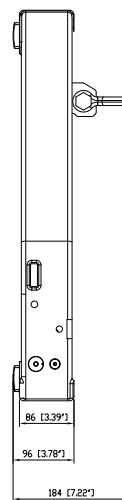
Color

Black, White

Line Art 2D



FLYBAR HDL10-A
HDL15-AS



Part Number

13360274 FL-B HDL 10
13360314 FL-B HDL 10 W

Black
White

EAN 8024530012625
EAN 8024530012472

Technical Specifications

Products are continually improved. All specifications are therefore subject to change without notice.