



DP 5EN

UNIDIRECTIONAL SOUND PROJECTOR



Description

DP 5EN is a weatherproof sound projector suitable for all those installations where high intelligibility for alarm messages broadcasting and great sound reproduction quality are required. Thanks to its IP65 protection grade, it can be installed both indoor and outdoor. Moreover, a modern and endearing design makes it the perfect product for environments where projectors are intended also as architectural elements and contribute to improve global aesthetics.

Features

- › 5" fullrange transducer.
- › Power selectable (100 V): 20 W - 10 W - 5 W - 2.5 W.
- › 88 dB sensitivity.
- › Colour white RAL 9016.
- › Flameproof ABS body, steel grille.
- › In/out ceramic terminal block.
- › Thermal fuse protection.
- › Protection grade IP65.

Part Number

13133076 DP 5EN

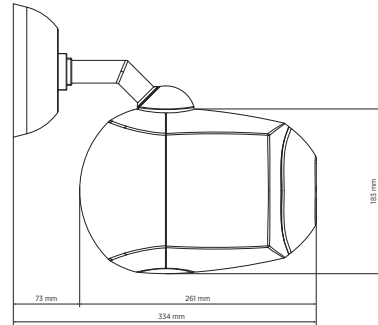
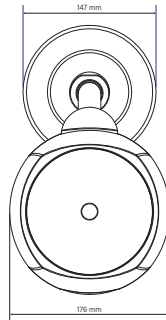
White - RAL 9016 EAN 8024530011123



DP 5EN

UNIDIRECTIONAL SOUND PROJECTOR

Line Art 2D



TECHNICAL SPECIFICATIONS

Acoustical specifications

Frequency Response (-10dB)	80 Hz ÷ 20000 Hz
Max SPL @ 1m	101 dB
Max SPL @ 4m	89 dB
Coverage angle	210°
System Sensitivity	88 dB
System Sensitivity 1W @ 4m	76 dB

Power section

Amplification	Full Range
Power Handling	20 W
Peak Power Handling	80 W PEAK
Protections	Thermal fuse

Transducers

Fullrange	1 x 5.0"
-----------	----------

Input/Output section

Input connectors	Ceramic screw terminals
Output connectors	Ceramic screw terminals
Constant Voltage Transformer	100 V
Power selection 1	20 W - 500 ohm
Power selection 2	10 W - 1000 ohm
Power selection 3	5 W - 2000 ohm
Power selection 4	2.5 W - 4000 ohm

Standard compliance

IP protection grade	IP 65
Safety agency	CE compliant
EN54-24 certified	Yes
CPR number	0068-CPR-058/2014

Physical specifications

Cabinet/Case Material	ABS
Hardware	Wall mount metal plate
Grille	Steel
Color	White - RAL 9016

Size / Weight

Height	183 mm / 7.2 inches
Width	176 mm / 6.93 inches
Depth	261 mm / 10.28 inches
Weight	2.61 kg / 5.75 lbs



DP 5EN

UNIDIRECTIONAL SOUND PROJECTOR